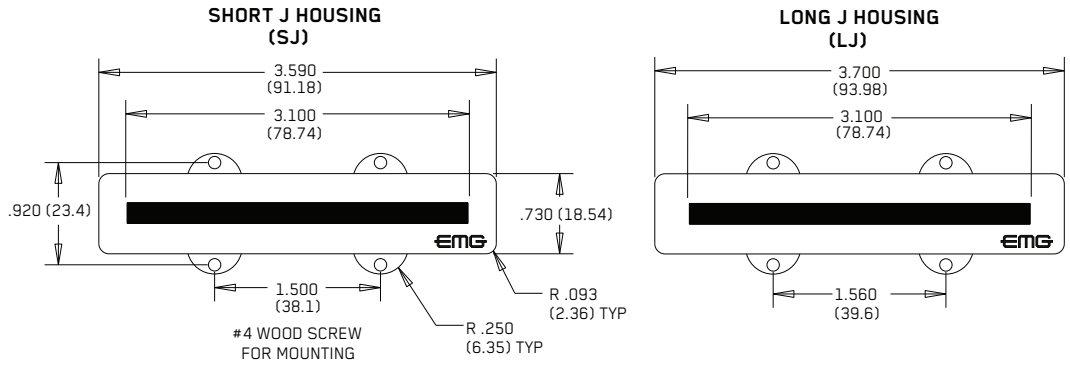




0230-0261FE

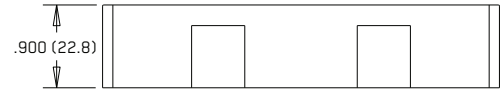
PO BOX 4394
SANTA ROSA, CA
95402 USA

P (707) 525-9941
F (707) 575-7046
EMGPICKUPS.COM



INSTALLATION INFORMATION

EMG MODEL: J-HZ SET (4/5 STRING) STACK



SPECIFICATIONS

Pickup Types: Passive
Logo Color
Magnet Type
Inductance (Henries)
DC Resistance (kOhm)
Resonant Frequency (KHz) (1)
Resonant Frequency (KHz) (2)
Impedance at Resonance (kOhm) (1)

MODEL:

J-HZ (SHORT/LONG)
Silver
C/S
2.27
8.0
3.71
4.8
52.88

- (1) Loaded with 250K Volume and Tone and 20' (6M) 560pf cable
- (2) Loaded with 1 MegOhm / 47pf

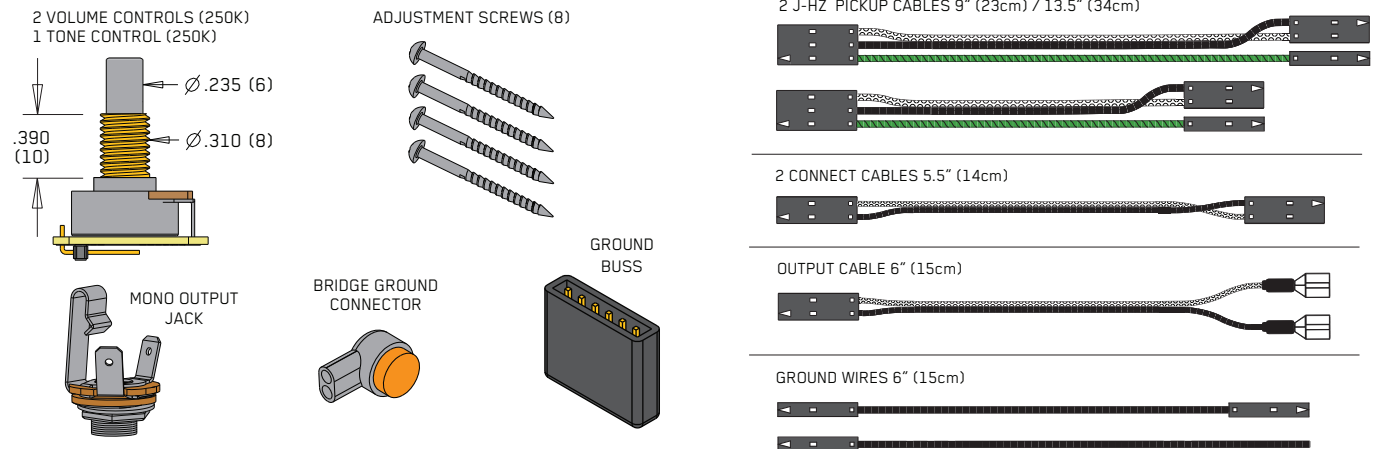
INSTALLATION NOTES:

The J-HZ Set consists of a Short (SJ-HZ) Neck Pickup and Long (LJ-HZ) Bridge Pickup. These J-HZ Models use a stacked coil design for noise-reduction and have EMG's C/S (Ceramic & Steel) construction. This yields a "smoother" sounding pickup. Both pickups have the same internal specifications, and differ only by their housings.

IMPORTANT NOTE: STRING GROUND (EARTH)

It is common practice to use a bridge ground wire to reduce noise in instruments with passive pickups. An IDC connector is included to attach your bridge ground wire to the EMG Ground Wire (single-ended). A "Ground Buss" and double-ended Ground Wire is used to join all common ground connections.

INCLUDED WITH THE SET:



WARRANTY

All EMG Pickups and accessories are warranted for a period of two years. This warranty does not cover failure due to improper installation, abuse or damage. If upon examination the pickup is determined to be defective, a replacement will be made. Warranty replacement products are covered by this same warranty. This warranty covers only those pickups and accessories sold by authorized EMG Dealers. This warranty is not transferable.

Installation Instructions:

EMG Models: J-HZ SET (4/5 STRING) STACK

General Notes:

Every attempt has been made to make this a solderless installation. There are some instances where this is not possible:

- 1) If your instrument uses a long panel output jack, soldering will be required
- 2) If your instrument has a selection switch or if the wiring is different, visit our website (emgpickups.com) for more diagrams and video installations.

Installation

- 1) Diagram #1 shows how to install the pickup cable onto the back of the pickup. Be sure the arrows are visible as shown. Diagram #2 shows the color code of the cable, be sure to pay attention to the colors when you are installing the pickup and interconnect cables.
- 2) The most common method of wiring J Bass Pickups is using the Volume/Volume/Tone arrangement shown in Diagram #3. If your guitar is wired in the same fashion, simply follow the diagram and install the cables as shown.

Diagram #1

Insert the plug onto the 3 pin header of the pickup as shown above. Note the orientation arrow.

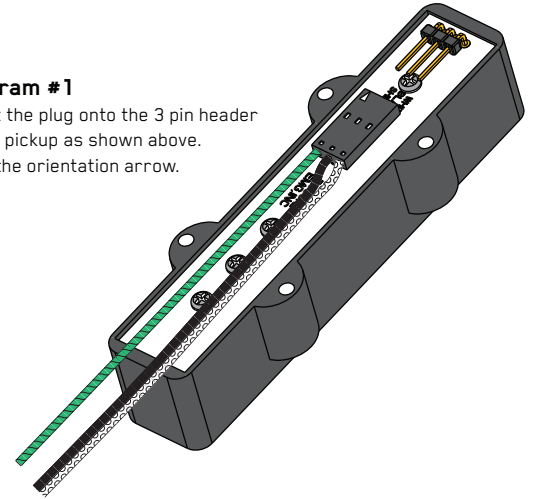


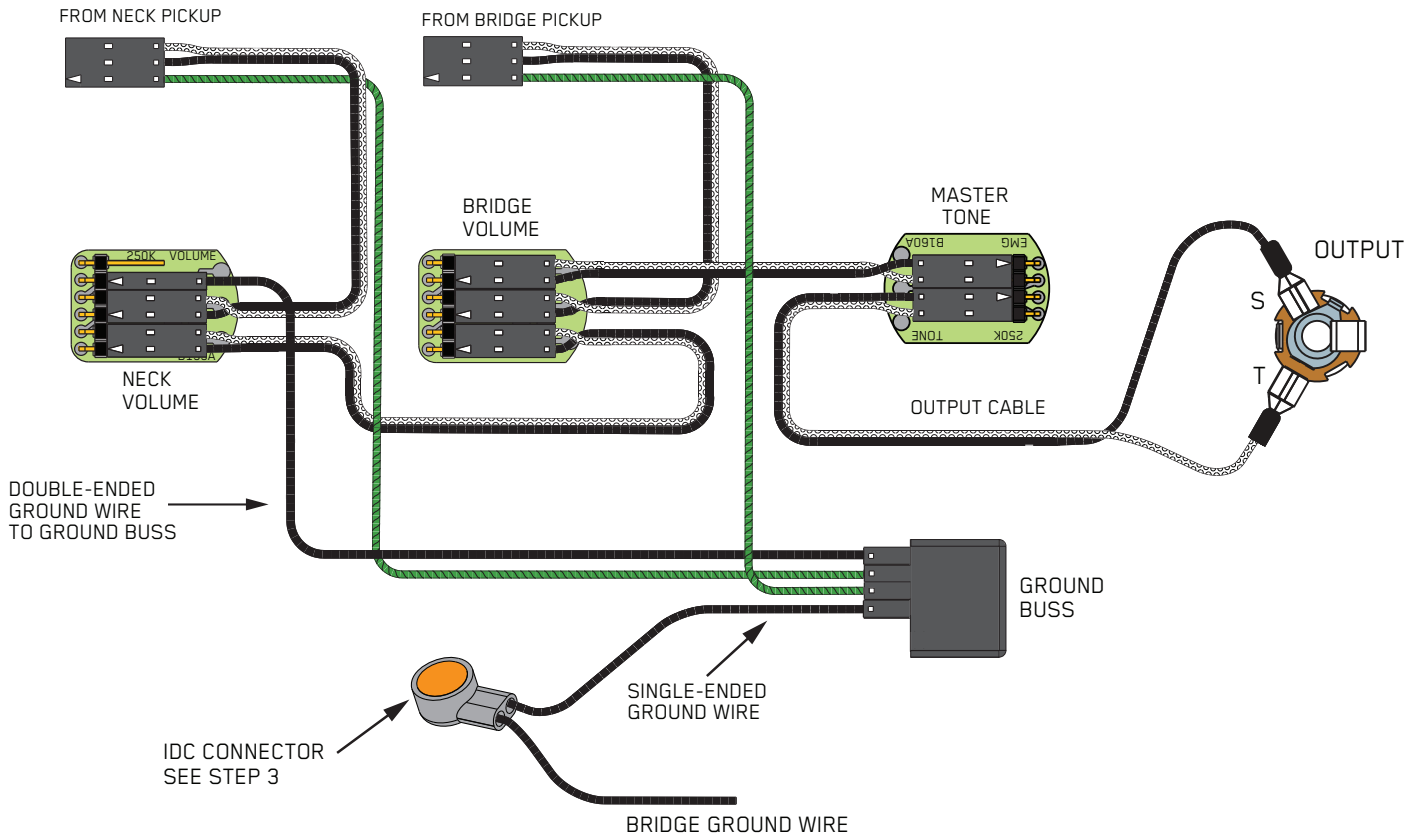
Diagram #2

COIL POS/NEG
REVERSE THIS CONNECTOR
ON THE POT TO REVERSE
PICKUP PHASE



Diagram #3

2 Pickups
Volume / Volume/ Tone



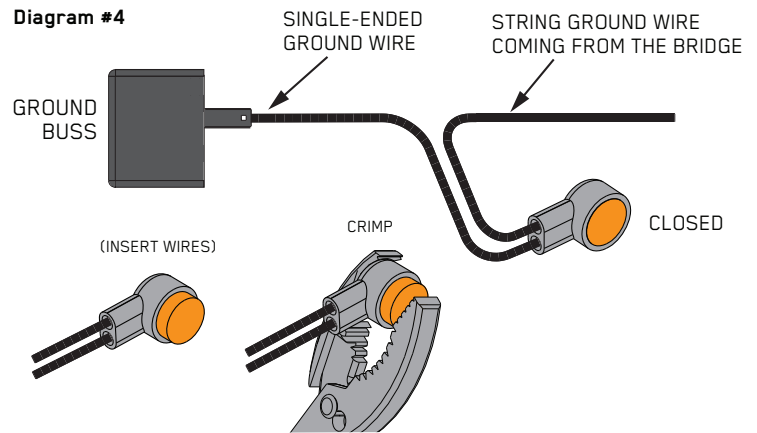
Attaching the bridge ground wire

3) Refer to Diagram #4.

As mentioned on Page 1, it is common to "ground" (earth) the strings on instruments with passive pickups. Included with the system is a black ground wire with a single solderless connector. Also included is an IDC connector for joining two wires together.

Insert your bridge ground wire and EMG ground wire into the IDC connector as shown. You don't need to strip the insulation from either wire. Crimp the connector with a pair of pliers until it snaps. This will connect the two wires. The IDC connector can only be used once, and cannot be "un-crimped".

Push the solderless connector into the included Ground Buss as shown in the diagram. This will ground the strings to the system.



Soldering to the 151 Panel Jack:

If your instrument has a long Panel Jack like the one below you will have to solder the output cable as shown.

Ground (Black) to the Sleeve

Signal (White) to the Tip

