

## 数字无线音频 发送、接收器

### JW-03 用户使用说明



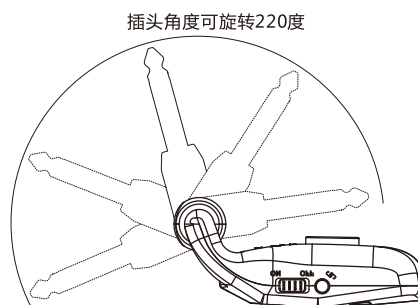
#### 注意事项 01

- 切勿擅自拆卸、改装、修理机器，以免发生短路。
- 勿在高温、潮湿、污浊、强烈震动处使用机器。
- 勿将机器摔落，或落在坚硬物体表面，以免机器操作失常。
- 勿用酒精等稀释性液体擦洗机器表面，以免机器受损。
- 发射器和接收器一定要配对才能正常工作，支持一对一和一对多方式。
- 为保证本机正常工作，发射器或接收器不要太过接近无线路由器等无线设备。
- 在发射器和接收器之间如有大障碍物，可能会影响传输距离。
- 在同一区域内本品最多可以同时使用四对。
- 工作过程中如黄灯闪烁说明机器处于低电，此时传输距离和效果会受到低电的影响，请及时充电。
- 不使用时请务必把发射器和接收器电源关掉，避免影响电池的寿命和性能。
- 出于锂电池的特性，电池会有微弱自放电现象，长时间不使用请在两个月内充电，以防电池进入低电保护状态。
- 出于锂电池的特性，随着充放电次数的增加，电池容量会有缓慢下降，产品的最大使用时间会相应下降。

#### 参数 02

- 48K/16bit 高品质信号
- 低延迟：<5mS
- 有效距离：大于20米的使用距离
- 频响：10Hz-22KHz +/-1dB
- 失真度：<0.02% (@1KHz -10dBFS)
- 使用频段：2.4GHz ISM 频段
- 抗干扰方式：跳频
- 信道数量：12个信道分4组
- 电池：内置锂电池，一次充满续航大于8小时

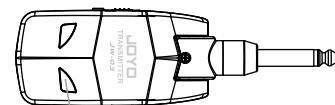
技术规格  
 电池：可充电锂电池3.7V/600mAh  
 频响：10Hz-22KHz  
 无线频段：2.4GHz ISM 频段  
 体积：78\*37\*30mm（折叠时）  
 随机附件：说明书，USB充电线



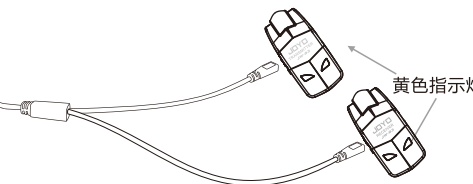
插头角度可旋转220度

#### 使用 03

##### 1. 给发射器和接收器充电



当黄色指示灯开始闪烁，说明机器的电量已经很低，需要及时充电。

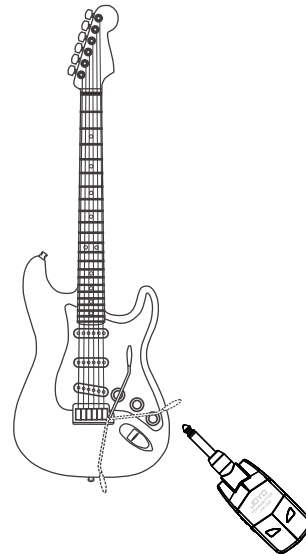


当设备处于充电状态时，黄色指示灯常亮。电池充满后黄色指示灯熄灭。

★双头的USB线可以同时给发射器和接收器充电

#### 使用 04

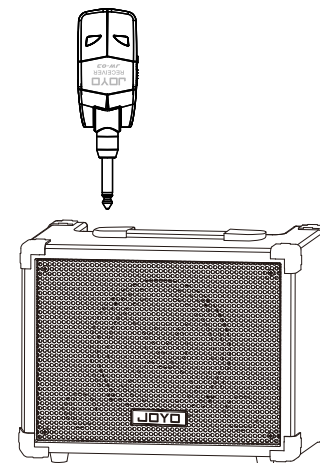
##### 2. 将发射器接入吉他



★适配所有的电吉他，包括带摇杆的Stratocaster 式电吉他。

#### 使用 05

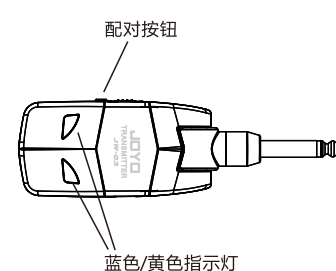
##### 3. 将接收器接入音箱



打开接收器电源，接收器的蓝灯常亮表示和发射器连接正常。蓝灯闪烁表示连接失败。可能是信号受到强干扰或者超过使用距离或发射机没有工作。

#### 使用 06

##### 4. 重新将发射器和接收器配对



打开发射器和接收器的电源，然后先按住接收器的配对按钮，直到蓝灯不停的快速闪烁。再按住发射器的配对按钮2秒以上，若发射器和接收器的蓝灯都变成常亮，说明配对成功。

##### 切换工作信道组

系统为避免相互干扰，将工作频段分成4个信道组，使用时每对占用一个信道组。

★每次双击配对按钮会切换一次信道组，同时黄灯以闪亮次数指示当前的信道组。

#### 卓乐产品服务政策

一、在正常使用产品过程中，如果产品出现非人为损坏的性能故障，自购买之日起，消费者享有保修服务，保修期为12个月。  
 二、有下列情况之一者，消费者不能享受保修权益。  
 1、人为损坏；2、超过保修期；3、无保修卡及有效发票，但能够证明产品在保修期内的除外；4、保修卡与产品型号不符，或保修卡被涂改；5、未按说明书要求使用、维护、保养而造成产品损坏；6、未经卓乐公司授权，擅自拆卸、维修产品、或浸水、摔坏产品；7、其他不可抗力造成的损坏。  
 三、卓乐服务信息  
 消费者服务热线：0755-29765390  
 更多信息请访问：www.joyochina.cn



#### 卓乐产品保修卡

产品型号	姓名	SN号码	购机日期
用户信息	电话		
	地址		
	发票号码		
销售单位信息	名称（加盖公章）		
	地址		
	电话		

#### 产品合格证

检验结论	合格
检验员号	QC 01
日期	

品牌:JOYO 名称:无线系统  
 执行标准:EN 300636-2001  
 制造商:深圳市卓乐科技有限公司  
 地址:广东省深圳市宝安区新安三路陆氏工业大厦2楼  
 邮编:518133  
 售后服务热线:0755-29765390



## Digital Wireless Transmitter & Receiver

JW-03 Owner's manual



### IMPORTANT NOTES 01

1. Do not disassemble or repair this product by yourself.
2. Do not use or store it to any heat sources, damp, dusty areas. Avoid violent vibrations or shock.
3. Do not drop this product otherwise it may malfunction.
4. Do not use alcohol or other cleaning fluids to clean this product.
5. This product works normally only when the transmitter and the receiver pairs up. It supports one-to-one and one-to-many.
6. Please make sure the transmitter and the receiver keep a distance away from wireless router or other wireless equipments during use.
7. Obstructions between the transmitter and the receiver may affect the transmission distance.
8. A maximum of 4 sets of transmitters and receivers can be used in the same place simultaneously.
9. If the yellow indicator flickers during use, it indicates low battery, please charge it in time.
10. Please turn off the transmitter and the receiver when not in use.
11. Due to one of the characteristics of lithium battery, there is a slight self-discharge. Therefore please charge the battery in 2 months so as to avoid low battery protection.
12. The lithium battery capacity decreases gradually after repeated charge and discharge, so this product's lifetime will be affected within acceptable degree with time.

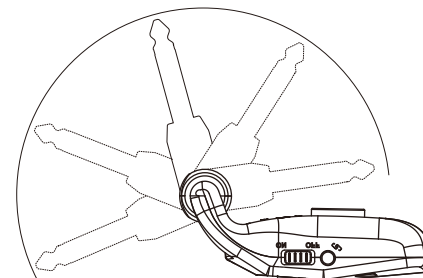
### PARAMETERS 02

- 48K/16bit audio resolution
- Delay time: <5mS
- Transmission distance>20m
- Frequency response:10Hz-22KHz+-1dB
- Distortion:<0.02%(@1KHz-10dBFS)
- Wireless frequency band: 2.4GHz ISM frequency band
- Anti-interference method: Frequency hopping
- Quantity of signal channel: 12, in 4 channel banks
- Built-in lithium battery:Over 8 hrs battery life once fully charged

#### Specifications

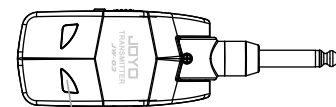
Battery: Rechargeable lithium battery 3.7V/600mAh  
 Frequency response: 10Hz-22KHz  
 Wireless frequency band: 2.4GHz ISM frequency band  
 Volume: 78\*37\*30mm(when being folded)  
 Attached accessories: Owner's manual, USB cable

The plug can be rotated for 220 degrees

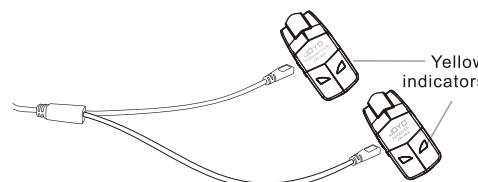


### How to use? 03

#### 1. How to charge the transmitter and the receiver?



When the yellow indicator starts flickering, it indicates low battery, and please charge it in time.

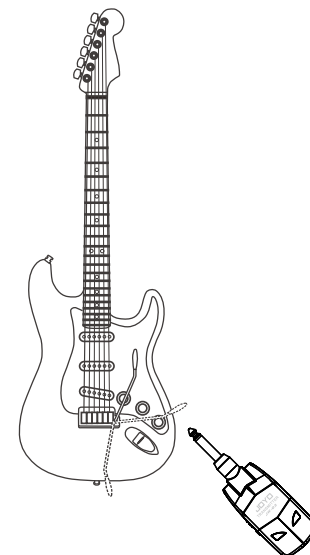


The yellow indicators are on during charging. They go off once fully charged.

★ The double-sided USB cable can charge the transmitter and receiver simultaneously.

### How to use? 04

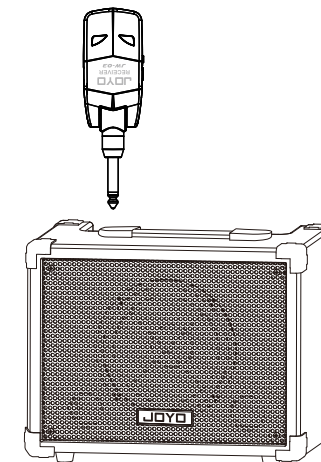
#### 2. Connect the transmitter to the guitar



★Suitable for all electric guitars, including Stratocaster style electric guitar with vibrato system.

### How to use? 05

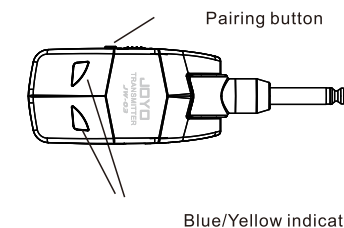
#### 3. Connect the receiver to the amp



Switch on the receiver, if its blue indicator is on, it indicates the receiver and transmitter are paired. If the blue indicator is flickering, it indicates they're not paired, it might due to strong signal interference, exceeds transmission distance or the transmitter doesn't work.

### How to use? 06

#### 4. Pair up the transmitter and receiver all over again



Turn on the transmitter and the receiver, press the pairing button of the receiver until the blue indicator is flickering quickly. Then press the pairing button of the transmitter for more than 2 seconds, when they're paired successfully, the blue indicators on both of the transmitter and receiver are on.

#### Switch the working channel banks

The system divides the working frequency into 4 channel banks so as to avoid mutual interference. Each pair occupy a channel bank while in use.

★Double click the pairing button, you can switch the channel bank once. Meanwhile, the yellow indicator's flicker times indicate the current channel banks.

# JOYO

JOYO TECHNOLOGY CO., LTD

Address: 2/F, Lushi Industry Building, 28th District, Bao'an, Shenzhen, 518101 China.  
www.joyoaudio.com Email:info@joyoaudio.com Tel: 0086-755-29765381