

# 1折线

# 2折线

# 3折线

# 4折线

# 5折线

## 1

FEEL JOYO ENJOY MUSIC

### 产品简介

感谢您购买JOYO无线麦克风系统MW-1！它是一款为动圈麦克风设计的无线系统装置，将有线麦克风变为无线麦克风，告别线材束缚，只需简单的设置，即可应用于各种场合！

### 产品特点

- 内置可充电锂电池
- 大于30米的使用距离
- 使用开放5.8GHz ISM 频段
- 4个可切换信道
- 小于5毫秒的信号延迟
- 48K/24bit高品质信号采集/回放

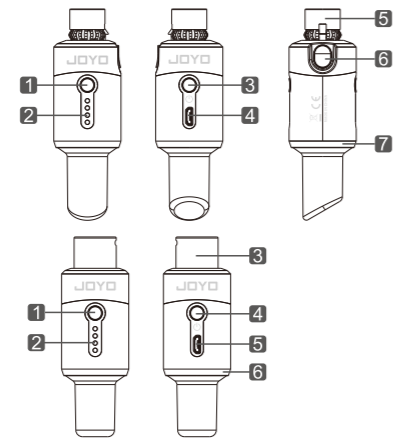
### 安全说明

1. 切勿擅自拆卸、改装、修理机器，以免发生短路。
2. 勿在高温、潮湿、污浊、强烈震动处使用机器。
3. 勿将机器摔落，或落在坚硬物体表面，以免机器操作失常。
4. 勿用酒精等稀释性液体擦洗机器表面，以免机器受损。
5. 发射器和接收器一定要配对才能正常工作，支持一对一和一对多方式。
6. 为保证本机正常工作，发射器或接收器不要太过接近无线路由器等无线设备。
7. 在发射器和接收器之间如有大障碍物，可能会影响传输距离。
8. 在同一区域内本品最多可以同时使用四对。
9. 工作过程中如红灯闪烁说明机器处于低电，此时传输距离和效果会受到低电的影响，请及时充电。
10. 不使用时请务必把发射器和接收器电源关掉，避免影响电池的寿命和性能。
11. 出于锂电池的特性，电池会有微弱自放电现象，长时间不使用请在两个月内充电以防电池进入低电保护状态。
12. 出于锂电池的特性，随着充放电次数的增加，电池容量会有缓慢下降，产品的最大使用时间会相应下降。

## 2

FEEL JOYO ENJOY MUSIC

### 面板介绍



### 发射器

- 1 通道切换/配对按钮
- 2 通道指示灯
- 3 电源开关-长按打开或关闭电源
- 4 Micro-USB接口
- 5 卡依母接口
- 6 接口卡扣按钮
- 7 工作状态指示灯

### 接收器

- 1 配对按钮
- 2 通道指示灯
- 3 卡依母接口
- 4 电源开关-长按打开或关闭电源
- 5 Micro-USB接口
- 6 工作状态指示灯

### 产品规格

#### MW-1接收器

供电方式: 内置锂电池  
 电池容量: 3.7V 400mAh  
 接收灵敏度: -85dBm  
 接收频率: 5.8GHz频段  
 抗干扰方式: 跳频  
 信号失真度: <0.02%  
 增益: 0 dB

信噪比: 105dB  
 频率响应: 20Hz - 20KHz  
 延迟时间: <5ms  
 采样率: 24-bit/48KHz  
 输出阻抗: 680Ω  
 插头类型: XLR卡依公接口

#### MW-1发射器

供电方式: 内置锂电池  
 电池容量: 3.7V 400mAh  
 发射功率: 7dBm  
 工作频率: 5.8GHz频段  
 抗干扰方式: 跳频

频率响应: 20Hz - 20KHz  
 延迟时间: <5ms  
 采样率: 24-bit/48kHz  
 输入阻抗: 3.3K  
 插头类型: XLR卡依母接口

## 3

FEEL JOYO ENJOY MUSIC

### 配对

MW-1麦克风无线系统在出厂时默认第一通道为优选配对通道，如果你想要使用其他通道，请根据以下步骤来完成设置：

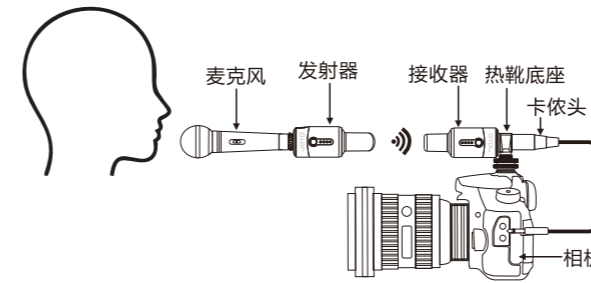
1. 打开接收器和发射器。
2. 将发射器和接收器分别连接至麦克风及调音台或其他设备。
3. 长按通道切换按钮将接收器以及发射器的通道进行配对统一，当工作状态指示灯闪烁蓝色灯，表示信号正在等待匹配。
4. 配对统一成功，发射器和接收器的状态指示灯都变为常亮蓝色灯。

## 4

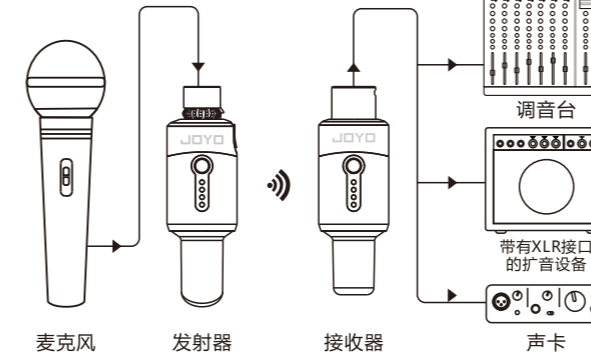
FEEL JOYO ENJOY MUSIC

### 应用场景

#### ①无线录影



#### ②常规用途

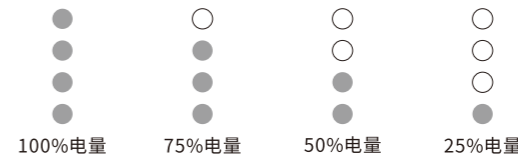


## 5

FEEL JOYO ENJOY MUSIC

### 电池充电

您可以在开机时依据通道指示灯的亮灯情况来判断接收器与发射器的电池用量。



当工作状态指示灯开始闪烁红色，说明机器的电量已经很低，需要及时充电了。



当设备处于充电状态时，工作状态指示灯显示红色灯常亮。  
 电池充满后红色灯熄灭。  
 ★双头的USB线可同时对发射器和接收器充电。

## 6

FEEL JOYO ENJOY MUSIC

### 卓乐产品服务政策

- 一、在正常使用产品过程中，如果产品出现非人为损坏的性能故障，自购买之日起，消费者享有保修服务，保修期为12个月。
- 二、有下列情况之一者，消费者不能享受保修权益。  
 1. 人为损坏；2. 超过保修期；3. 无保修卡及有效发票，但能够证明产品在保修期内的除外；
4. 保修卡与产品型号不符，或保修卡被涂改；5. 未按说明书要求使用、维护、保养而造成产品损坏；6. 未经卓乐公司授权，擅自拆卸、维修产品、或浸水、摔坏产品；7. 其他不可抗力造成的损坏。
- 三、卓乐服务信息  
 消费者服务热线：0755-29765390  
 更多信息请访问：www.joyochina.cn



### 卓乐产品保修卡

产品型号	姓名	SN号码	
用户信息	电话	购机日期	
	地址		
	发票号码		
销售单位信息	名称（加盖公章）	地址	
	电话		

品牌:JOYO 名称:无线系统  
 执行标准:EN 301021-2000  
 制造商:深圳市卓乐科技有限公司  
 地址:广东省深圳市宝安28区新安三路  
 陆氏工业大厦2楼  
 邮编:518133  
 售后服务热线:0755-29765390

### 产品合格证

检验结论 \_\_\_\_\_  
 检验员号 \_\_\_\_\_  
 日期 \_\_\_\_\_

# 1折线

# 2折线

# 3折线

# 4折线

# 5折线

1

FEEL JOYO ENJOY MUSIC

### Product introduction

Thank you for purchasing JOYO wireless microphone system MW-1! It's specially designed for moving-coil microphone, changing microphone into wireless one, user-friendly setup and without cables, suitable for various venues.

### Features

- A built-in rechargeable lithium battery
- Transmission distance > 30 meters
- It adopts 5.8GHz ISM frequency band
- 4 switchable channels
- Delay time < 5ms
- 24bit Audio Resolution with Sampling Frequency of 48K

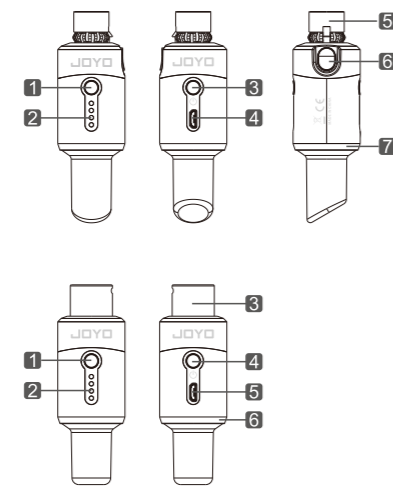
### Caution

1. Do not disassemble or repair this product by yourself.
2. Do not use or store it to any heat sources, damp, dusty areas. Avoid violent vibrations or shock.
3. Do not drop this product otherwise it may malfunction.
4. Do not use alcohol or other cleaning fluids to clean this product.
5. This product works normally only when the transmitter and the receiver pairs up. It supports one-to-one and one-to-many.
6. Please make sure the transmitter and the receiver keep a distance away from wireless router or other wireless equipments during use.
7. Obstructions between the transmitter and the receiver may affect the transmission distance.
8. A maximum of 4 sets of transmitters and receivers can be used in the same place simultaneously.
9. If the red light flashes during use, it indicates low battery, please charge it in time.
10. Please turn off the transmitter and the receiver when not in use.
11. Due to one of the characteristics of lithium battery, there is a slight self-discharge. Therefore please charge the battery in 2 months so as to avoid low battery protection.
12. The lithium battery capacity decreases gradually after repeated charge and discharge, so this product's lifetime will be affected within acceptable degree with time.

2

FEEL JOYO ENJOY MUSIC

### Panel



### Transmitter

- 1 Channel switch /Pairing Button
- 2 Channel indicator
- 3 Power switch-Long press it to turn on or turn off
- 4 Micro-USB Port
- 5 Female Port
- 6 Fastener button
- 7 Status indicator

### Receiver

- 1 Pairing Button
- 2 Channel indicator
- 3 Female Port
- 4 Power switch-Long press it to turn on or turn off
- 5 Micro-USB Port
- 6 Status indicator

3

FEEL JOYO ENJOY MUSIC

### Transmitter and Receiver Pairing

The default setting for MW-1 microphone wireless system is Channel 1, if you want to use other channels, please proceed according to the following steps:

1. Turn on the receiver and the transmitter.
2. Connect the receiver to the microphone and the transmitter to the mixer or other equipment.
3. You can long press the channel switch button to pair up the channels of the receiver and the transmitter, the signal is to be paired up when the status indicator flickers blue.
4. When they're paired successfully, the status indicators on both of the transmitter and the receiver become blue.

### Specifications

**MW-01 receiver**  
 Power supply mode: built-in lithium battery  
 Cell capacity: 3.7V 400mAh  
 Reception Sensitivity: -85dBm  
 Received frequency: 5.8GHz frequency  
 Anti-jamming method: Frequency hopping  
 Signal Distortion: <0.02%  
 Gain: 0 dB  
 SNR: 105dB  
 Frequency response: 20Hz - 20KHz  
 Delay time: <5ms  
 Sampling rate: 24-bit /48KHz  
 Output Impedance: 680Ω  
 Port's type: XLR male port

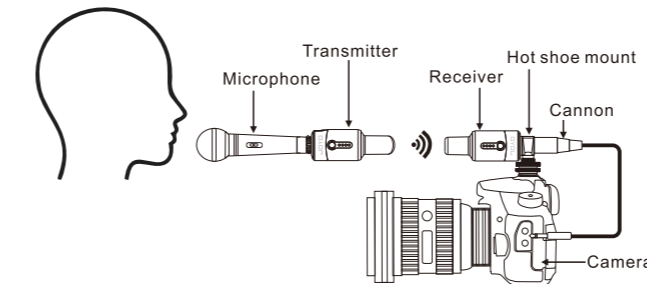
**MW-01 transmitter**  
 Power supply mode: built-in lithium battery  
 Cell capacity: 3.7V 400mAh  
 Transmission power: 7dBm  
 Working frequency: 5.8GHz frequency  
 Anti-jamming method: Frequency hopping  
 Frequency response: 20Hz - 20KHz  
 Delay time: <5ms  
 Sampling rate: 24-bit /48kHz  
 Input Impedance: 3.3K  
 Port's type: XLR female port

4

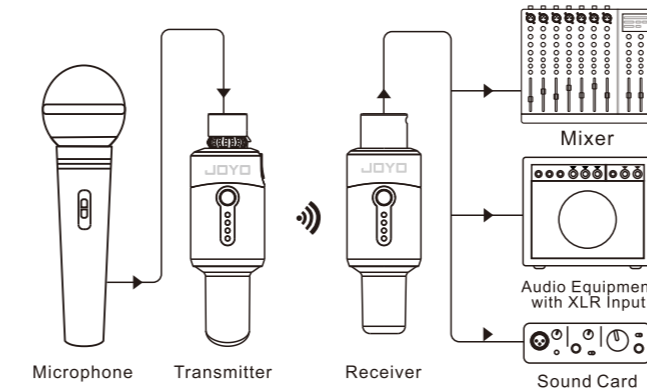
FEEL JOYO ENJOY MUSIC

### Application scenarios

#### ① Wireless recording



#### ② Conventional use

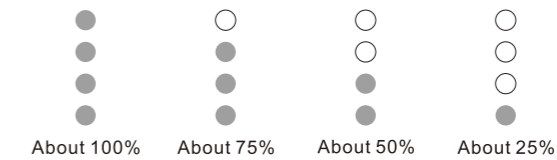


5

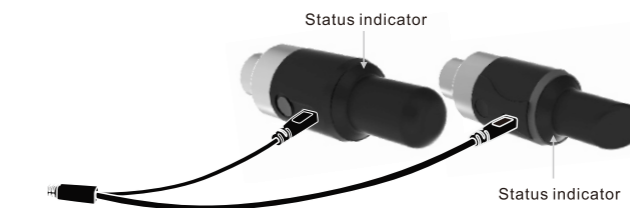
FEEL JOYO ENJOY MUSIC

### Battery charging

You can see the receiver and transmitter's battery level when you turn on the unit and the related channel's indicators.



When the status indicator starts to flicker in red, it indicates low battery, and it's time to charge the unit.



When the unit is being charged, the status indicator is in red. It goes off when it's fully charged.

★ You can charge the transmitter and receiver simultaneously with the Dual Port USB Cable.

JOYO TECHNOLOGY CO., LTD

Address:

2/F, Lushi Industry Building, 28th District, Bao'an, Shenzhen, 518133 China.

www.joyoaudio.com

Email: info@joyoaudio.com

Tel: 0086-755-29765381