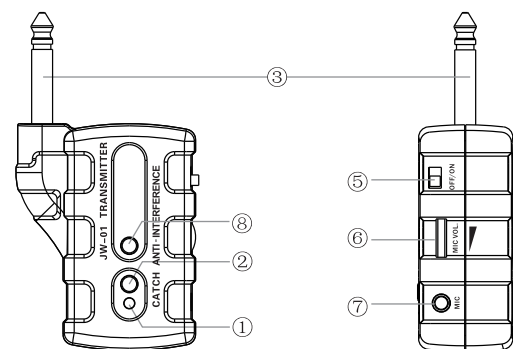


Thank you for purchasing our products, please read these instructions carefully before using this product.

## I. Caution:

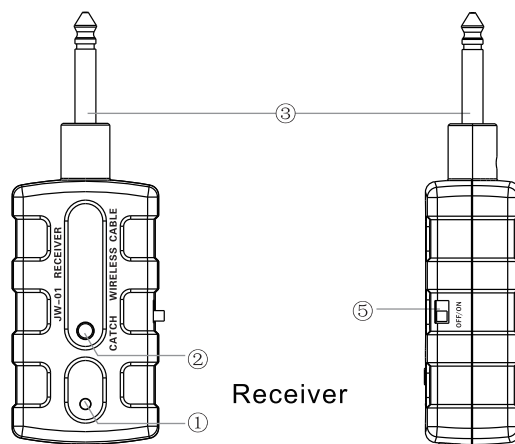
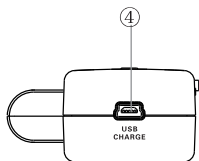
1. Do not disassemble or repair this unit by yourself.
2. Do not use or store this unit in the following circumstances: high temperature, high humidity, dirty or strong shock places.
3. Do not drop off this unit or bump this unit off hard surface.
4. Do not use cleaning liquid or alcohol to clean this unit in case of damage.
5. The machine will work normally only when the Transmitter & Receiver have been Caught with each other.
6. Please keep distance with wireless router or other wireless equipment when using the machine.
7. The transmitting distance could be influenced when using between big barriers.
8. This product can be used utmost 4 pairs in the same area, we recommend 2 pairs at one time.
9. Low Power alarming when the Power indicator light gets off or in red.
10. Please turn off the machines when not in use.
11. Out of the characteristics of lithium battery, a slightly self-discharge is normal, and please charge the battery within two months when this product is not in use for a long time, to prevent the battery turn to low voltage protection status.
12. The lithium battery capacity will degrade after repeated charge and discharge, and the duration performance will decrease accordingly.

## II. Function Keys:



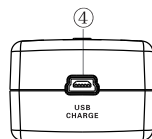
**Transmitter**

- ① Power indicator light
- ② Catch button
- ③ Plug for inputting signals: universal to electric guitar and all electroacoustic musical instruments.
- ④ USB interface for recharging.
- ⑤ OFF/ON switch
- ⑥ Mic Volume switch
- ⑦ MIC inputting interface
- ⑧ Anti-Interference Button



**Receiver**

- ① Power indicator light
- ② Catch button
- ③ Plug for outputting signals: connecting amplifiers or other sound-producing equipment
- ④ USB interface for recharging
- ⑤ OFF/ON switch



## III. Usage:

1. One Transmitter to One Receiver:
  - 1) Turn on both of the Transmitter & Receiver first, then match the two machines. They' re matched when the Receiver' s power indicator light turns Yellow(normal) & Red(low power). If not, please long press the match button of both Transmitter & Receiver simultaneously for more than 3 seconds , which would arouse a 15-second Red twinkling from Transmitter and an intermittent "du" sound from Receiver. Once the Receiver' s "du" sound lasts for 3 seconds, it means the match is successful. Then the Transmitter stops Red twinkling and the Receiver' s light indicator turns Red which means a successful match. The above operation could be repeated if still not matched smoothly.
  - 2) Once they have been matched, they will keep being-matched statement even if you get them recharged, with their: memorial system. The light of Receiver will become Yellow or Red (Red means Low Power). If you want them get matched with other similar products, just need to operate in accordance with point 1).
  - 3) Within the reliable transmission distance, if you encounter such circumstances as matching difficulties, intermittent sound signal or twinkling indicator, please press "Anti-Interference" Button and change the frequency mode to leap away the interference point
2. One Transmitter to Many Receivers:
 

Get Transmitter matched with each Receiver individually and then turn on all the machines at the same time. (Please refer to the Usage of "One Transmitter to one Receiver" )
3. MIC Inputting:
 

Support 3.5mm plug, this machine can use the Electret condenser microphone with 3.5mm plug as well. To adjust MIC' s volume by turning "Mic Volume Switch"

## IV. How to recharge the Lithium Battery:

1. The machine is in Low Power statement if the Power indicator light is off when you turn on the item, please recharge in time.
2. To save charging time, it is recommended to switch the machine to OFF statement when being recharged.
3. When Power indicator light is still in Red color in recharging period, it means power is still not enough. Power will be enough when the light becomes off.
4. Assorted adaptor or USB cable is recommended.
5. When this product is not in use for a long time or fail in charge, the battery would turn to protection status. In that case, it needs precharge for a while, and the charging time increases accordingly since its charging current is small.

## JOYO TECHNOLOGY CO., LTD

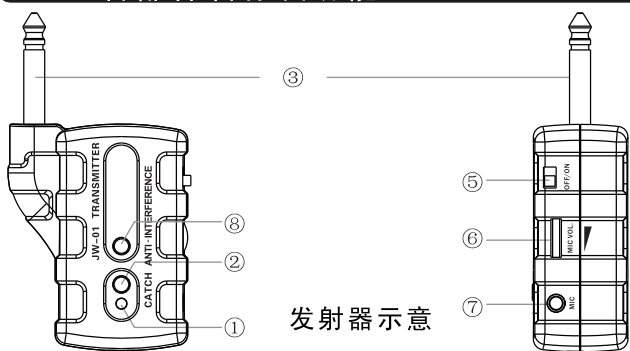
Address: 2/F, Lushi Industry Building, 28th District, Bao'an, Shenzhen, 518133 China.  
www.joyoaudio.com Email:info@joyoaudio.com Tel: 0086-755-29765381

感谢您购买我司的产品，请在使用前仔细阅读此说明书。

## 一、注意事项：

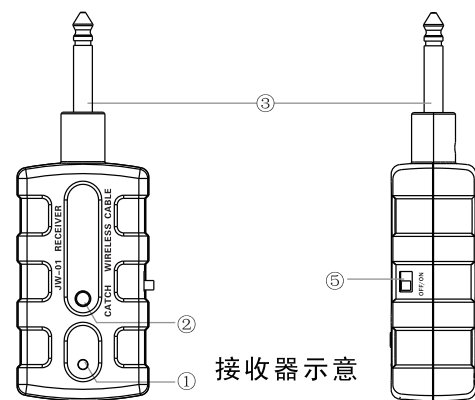
- 1、切勿擅自拆卸、改装、修理机器，以免发生短路。
- 2、勿在高温、潮湿、油污、强烈震动处使用机器。
- 3、勿将机器摔落，或落在坚硬物体表面，以免机器操作失常。
- 4、勿用酒精等稀释性液体擦洗机器表面，以免机器受损。
- 5、发射器和接收器一定要配对才能正常工作，支持一对一和一对多方式。
- 6、为保证本机正常工作，发射器或接收器不要太过接近无线路由器等无线设备。
- 7、在发射器和接收器之间如有大障碍物，可能会影响传输距离。
- 8、在同一区域内本品最多可以同时使用四对，推荐同时使用两对。
- 9、工作过程中如绿灯不亮说明机器处于低电，此时传输距离和效果会受到低电的影响，请及时充电。
- 10、不使用时请务必把发射器和接收器电源关掉，避免影响电池的寿命和性能。
- 11、出于锂电池的特性，电池会有微弱自放电现象，长时间不使用请在两个月内充电以防电池进入低电保护状态。
- 12、出于锂电池的特性，随着充放电次数的增加，电池容量会有缓慢下降，产品的最大使用时间会相应下降。

## 二、各部件名称及功能：



发射器示意

- ① 电源及状态指示灯
- ② 配对按钮
- ③ 信号输入插头：  
用于连接电吉他等电声乐器
- ④ USB充电接口
- ⑤ 电源开关
- ⑥ 话筒音量旋钮
- ⑦ 话筒输入接口
- ⑧ 去干扰按钮  
(请参考“使用说明”中的第(3)点)



接收器示意

- ① 电源及状态指示灯
- ② 配对按钮
- ③ 信号输出插头：  
用于连接音箱等放音设备
- ④ USB充电接口
- ⑤ 电源开关

## 三、使用说明：

### 1. 一个发射器对一个接收器的使用方法：

- (1) 打开发射器和接收器电源，如接收器指示灯未变成橙色（红灯和绿灯同时亮）或红色（低电情况），请同时长按发射器和接收器的配对按钮超过三秒，发射器红灯会闪烁十五秒，接收器会输出间断的“嘟”音，当听到接收器输出三秒的长“嘟”音，则表示对接成功。发射器红灯停止闪烁后接收器红灯亮起，表明配对成功。否则重复上述配对过程。
- (2) 一旦配对成功，会记忆配对，上电后无需重复配对操作，接收器的指示灯会亮橙色或红色。若需要和另外的同类产品配对，请按第一步进行配对操作即可。
- (3) 若在可靠收发距离内出现配对困难或声音断续、连接指示灯闪烁等情况。请短按“去干扰”按钮，改变本机的跳频方式以避开受干扰频点。

### 2. 一个发射器对多个接收器的使用方法：

- (1) 接收器分别与同一个发射器配对，再同时打开即可。配对过程请参看一对一的配对方法。

### 3. 话筒输入的使用：

- (1) 本机的话筒输入使用3.5MM插座，本机可以使用3.5MM插头的柱极体话筒。发射器上的话筒音量旋钮，可以调节话筒音量。

## 四、充电说明：

1. 在打开电源后如绿灯指示灯不亮，说明机器处于低电状态下，请及时充电。
2. 为了尽量快速的充满电池，推荐关闭电源开关后进行充电。
3. 在充电时指示灯会亮红灯，表示电池未充满，充电过程中如红灯灭表示电池已充满。
4. 推荐使用配套充电器进行充电或连接电脑的USB接口进行充电。
5. 长时间未使用或者低电后未及时充电可能会使电池进入保护状态。此时会预先充电，充电电流较小，充电时间会相应增加。

### 卓乐产品服务政策

一、在正常使用产品过程中，如果产品出现非人为损坏的性能故障，自购买之日起，消费者享有保修服务，保修期为12个月。  
二、有下列情况之一者，消费者不能享受保修权益：  
1、人为损坏；2、超过保修期；3、无保修卡及有效发票，但能够证明产品在保修期内的除外；  
4、保修卡与产品型号不符，或保修卡被涂改；5、未按说明书要求使用、维护、保养而造成产品损坏；6、未经卓乐公司授权，擅自拆卸、维修产品、或浸水、摔坏产品；7、其他不可抗力造成的损坏。  
三、卓乐服务信息  
消费者服务热线：0755-29765390  
更多信息请访问：www.joyochina.cn



### 卓乐产品保修卡

产品型号	姓名	SN号码
用户信息	电话	购机日期
	地址	
	发票号码	
	名称(加盖公章)	
销售单位信息	地址	
	电话	

品牌:JOYO 名称:无线系统  
执行标准:EN 300636-2001  
制造商:深圳市卓乐科技有限公司  
地址:广东省深圳市宝安区新安三路陆氏工业大厦2楼 邮编:518133  
售后服务热线:0755-29765390

### 产品合格证

检验结论 合格  
检验员号 QC 01  
日期