

HARDWARE CHECKLIST

Unpack the contents of the box and check that the following was included:

One (1) MC403 Power System

One (1) MC403 instruction manual

One (1) 19" rack front panel

Two (2) pedalboard mounting brackets

Twenty (20) cables:

Four (4) 2.1 x 5.5mm black right angle to straight, 1' long

Eight (8) 2.1 x 5.5mm black right angle to straight, 2' long

Four (4) 2.1 x 5.5mm black right angle to straight 3' long

Two (2) 2.5 x 5.5mm red right angle to straight 4' long

One (1) 2.1 x 5.5mm to 3.5mm black straight 2' long

One (1) 2.1 x 5.5mm to 3.5mm black straight 3' long

One (1) AC cord with appropriate connector for region of operation:

USA/ Canada

NEMA 5-15P AC male plug
IEC 60320 C13 AC female connector
SJT 18AWG*3C, 2m/78.7in (L)

Europe

CEE 7/7 AC male plug
IEC 60320 C13 AC female connector
H05VV-F 0.75*3C, 2m/78.7in (L)

Japan

JIS C 8303 AC male plug
IEC 60320 C13 AC female connector
VCTF 0.75*3C, 2m/78.7in (L)

UK

NEMA 5-15P AC male plug
IEC 60320 C13 AC female connector
H05VV-F 0.75*3C, 2m/78.7in (L)

Australia

SAA power cord, AS3112 AC male plug, 10A
IEC 60320 C13 AC female connector
2m/78.7in (L)

DIRECTIONS

- (1) Set the red AC 115/230 input selector to your local AC voltage.
- (2) Plug the included AC power cord into the AC IN jack.
- (3) Connect the AC cord into a wall outlet.
- (4) Flip the ON/OFF switch to the ON position. A red LED on the rear panel will light up to indicate the unit is active.
- (5) Read the OUTPUT GUIDE on the following pages to make sure you are using the correct output jacks and cables.
- (6) Connect pedals to the MC403 using supplied cables. The red LED above each output jack will light to indicate that power is being supplied to the connected pedal.
- (7) An AC THRU jack is located next to the AC IN jack to provide auxiliary power to another device. **DO NOT EXCEED 200 WATTS on AC THRU device!**

OUTPUT GUIDE

Before plugging anything into the MC403 Power System, check that the power requirements of the device match the output capabilities of the MC403.

Specifically, you should check:

- (1) The device's voltage requirement to match the MC403 output voltage.
- (2) Whether the device uses AC or DC.
- (3) The current requirement to not exceed the MC403's MAX CURRENT spec.
- (4) The polarity when using DC power.
The cables provided with the MC403 support the industry standard positive (+) barrel and negative (-) center polarity.



If you are unsure about what power your device requires, **DO NOT PLUG THE DEVICE INTO THE MC403!** The following list provides usage examples for each of the output types available on the MC403.

ADJUSTABLE DC OUTPUTS – Use 2.1 x 5.5mm black cables.

Push the red button IN for the high voltage (10.5-15V) setting.
Push the red button OUT for the low voltage (6.5-10.5V) setting.
Rotate the black adjustment knob to fine tune the value.

To simulate a dying battery tone on a transistor based distortion/fuzz/overdrive, set the red button OUT and rotate the adj. knob until desired tone is achieved.

Radial™ Tonebone™ pedals requiring 15VDC, 400mA can be used with the red button IN and the adjustment knob rotated fully clockwise.

9VAC OUTPUTS – Use 2.5 x 5.5mm red cables.

Line 6® Stomp Modeler and POD® units (excluding Pocket POD®)

9VDC OUTPUTS – Use 2.1 x 5.5mm black cables.

MXR®, Crybaby®, Way Huge® Electronics pedals requiring Dunlop ECB-003
Dunlop® UV1SC Stereo Chorus, JD4S Rotovibe
Boss® pedals requiring PSA-series adapters
Electro-Harmonix® pedals requiring 9DC-100 adapter
Maxon® pedals requiring AC210N adapter
Ibanez® pedals requiring AC109 adapter
Radial™ pedals requiring 9VDC, 40mA negative center adapters
Line6® ToneCore® series pedals
DigiTech® pedals requiring PSR200R

18VDC OUTPUTS – Use 2.1 x 5.5mm black cables.

MXR®, Crybaby® pedals requiring Dunlop ECB-004
Dunlop® UV1 Univibe

FRONT PANEL & PEDAL BOARD BRACKET ASSEMBLY

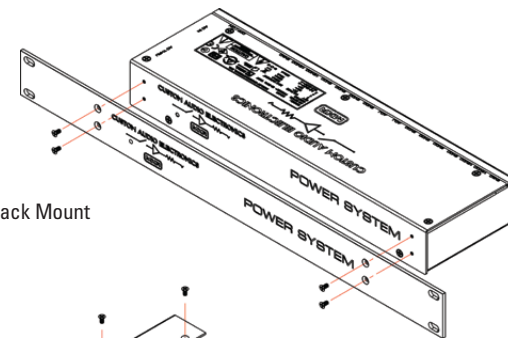


Figure A – Rack Mount

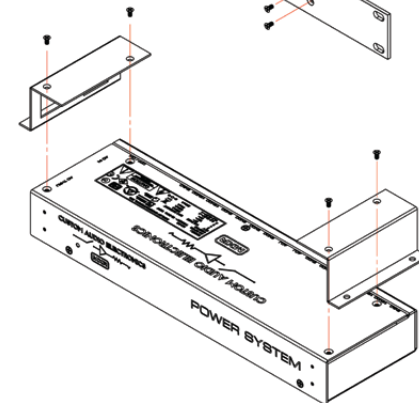


Figure B – Pedalboard Mount

Remove the four screws on front of unit as indicated in **Figure A** for rack mounting or as in **Figure B** for pedalboard mounting. Place the brackets on the unit, line up the holes, and replace screws to secure brackets. Use M3.0x0.5, L=8mm (max) screws if factory screws are lost.

WARNING: READ THIS FIRST BEFORE OPERATING!

IMPORTANT SAFETY INSTRUCTIONS

- Read these instructions.
- Keep these instructions.
- Heed all warnings.
- Follow all instructions.
- Do not use this apparatus near water.
- Clean only with dry cloth.
- Do not block any ventilation openings. Install in accordance with manufacturer's instructions.
- Do not install near any heat sources such as radiators, heat registers, stoves or other apparatus (including amplifiers) that produce heat.
- Do not defeat the safety purpose of the polarized or grounding-type plug. A polarized plug has two blades with one wider than the other. A grounding type plug has two blades and a third grounding prong. The wide blade or the third prong are provided for your safety. If the provided plug does not fit into your outlet, consult an electrician for replacement of the obsolete outlet.
- Protect the power cord from being walked on or pinched particularly at plugs, convenience receptacles, and the point where they exit from the apparatus.
- Only use attachments, accessories, and hardware specified by the manufacturer.
- Unplug the unit during lightning storms or when unused for long periods of time.
- Refer all servicing to qualified service personnel. Servicing is required when the unit has been damaged in any way, such as power supply cord or plug is damaged, liquid has been spilled, the unit has been exposed to rain or moisture, does not operate normally, or has been dropped.
- When mounting the unit, ensure that the area around the AC IN is unobstructed so that the power cord can be easily removed.

SPECIFICATIONS

INPUT

115V/230V~ 50 – 60Hz 300W, fuse T5AL250 type

OUTPUT

AC THRU – 200W MAX, hardwired to INPUT voltage

PEDAL OUTPUTS – Transformer Isolated,

Foldback Current Limited, Overvoltage Protected

QTY	VOLTAGE	MAX CURRENT*	CONNECTOR	COLOR
2	9VAC	800mA	2.5 x 5.5mm	red
4	18VDC	125mA	2.1 x 5.5mm	black
8	9VDC	80mA	2.1 x 5.5mm	black
2	6.5-10.5VDC(out) 10.5-15.0VDC(in)	200mA	2.1 x 5.5mm	black

*MAX CURRENT per output

DIMENSIONS

343 (W) x 102 (D) x 44 (H) mm

13.5 (W) x 4 (D) x 1.75 (H) inches

WEIGHT

2.63 kg / 5.8 lbs (with front panel installed)

OPERATING ENVIRONMENT

5°C to 38°C (non-condensing)

MXR® is a registered trademark of Dunlop Manufacturing, Inc. Crybaby® is a registered trademark of Dunlop Manufacturing, Inc. Way Huge® is a registered trademark of Saucy, Inc. Rotovibe® is a registered trademark of Dunlop Manufacturing, Inc. Univibe® is a registered trademark of Dunlop Manufacturing, Inc. Boss® is a registered trademark of Roland Corporation. Electro-Harmonix® is a registered trademark of New Sensor Corp. Maxon® is a registered trademark of Nisshin Onpa Co., LTD. Ibanez® is a registered trademark of Hoshino Gakkai Co., LTD. Radial™ is a registered trademark of Radial Engineering Ltd. Tonebone™ is a registered trademark of Radial Engineering Ltd. Line 6® is a registered trademark of Line 6, Inc. ToneCore® is a registered trademark of Line 6, Inc. DigiTech® is a registered trademark of the Harman Music Group, Ltd.

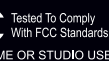


CUSTOM AUDIO ELECTRONICS



MC403 POWER SYSTEM

The **MC403 Power System**—a collaboration between Bob Bradshaw and the MXR design team—is truly the ultimate power supply. The **MC403** powers more types of pedals and electronics at one time than any previous power supply unit available. High quality, high performance toroidal transformers ensure quiet operation with superior performance capabilities. Designed for maximum flexibility, the **MC403** can be used on pedal boards or rack mounted in a single rack space with the front mount bracket (included). All multi-tap DC outputs are completely isolated, linear regulated, and short-circuit protected to insure reliable operation. Enclosed in a heavy-duty housing, the **MC403** is built for years of rugged road or studio use.



Tested To Comply
With FCC Standards
FOR HOME OR STUDIO USE



INDOOR
USE ONLY



DUNLOP MANUFACTURING, INC.
P.O. BOX 846, BENICIA, CA 94510
707.745.2722 | jim@dunlop.com

92503008461REV C