

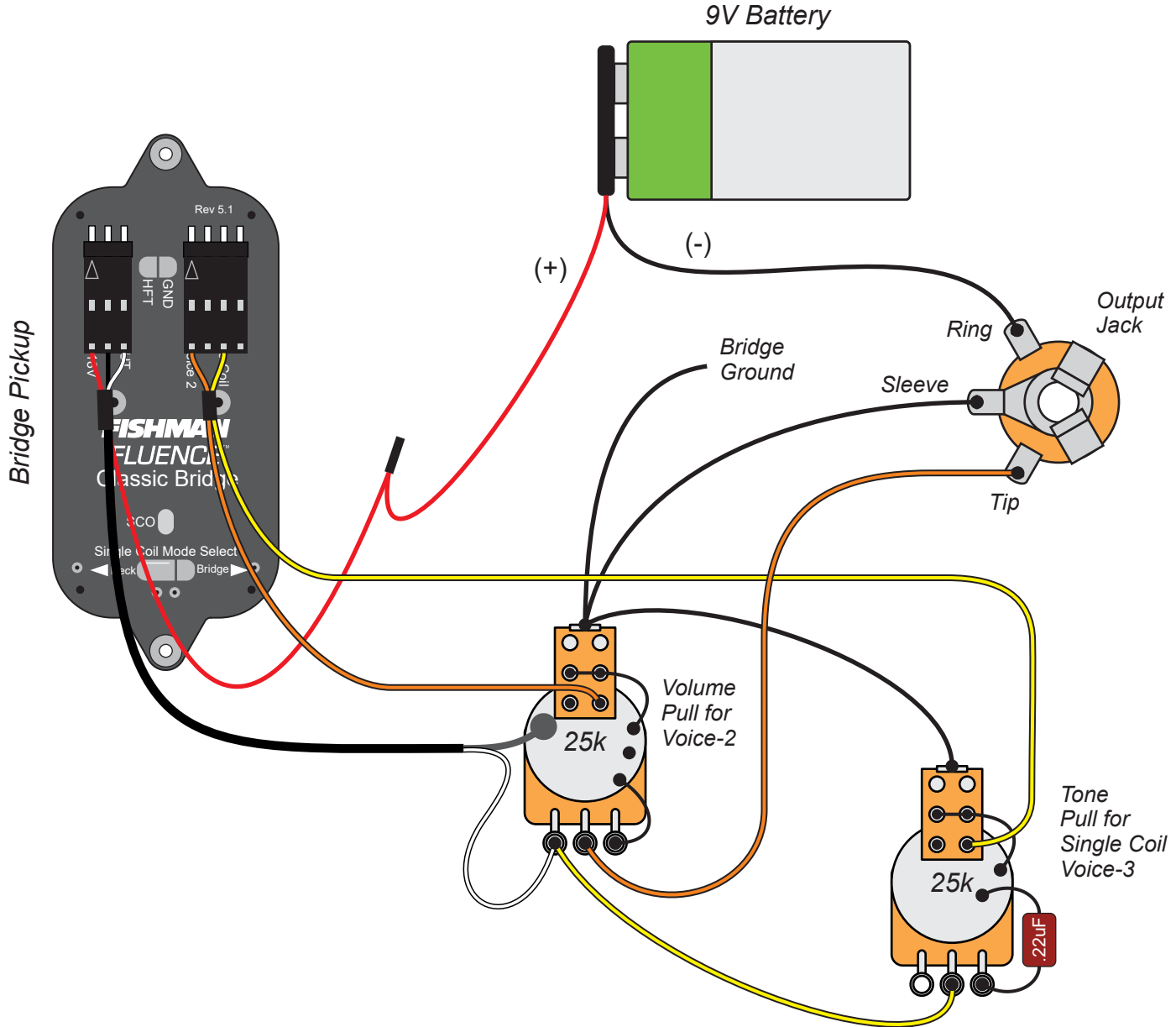
FISHMAN FLUENCE™

Classic Humbucker - Open Core Style

Controls:

Volume - Pull for Voice-2

Tone - Pull for Single Coil / Voice-3



FISHMAN FLUENCE™

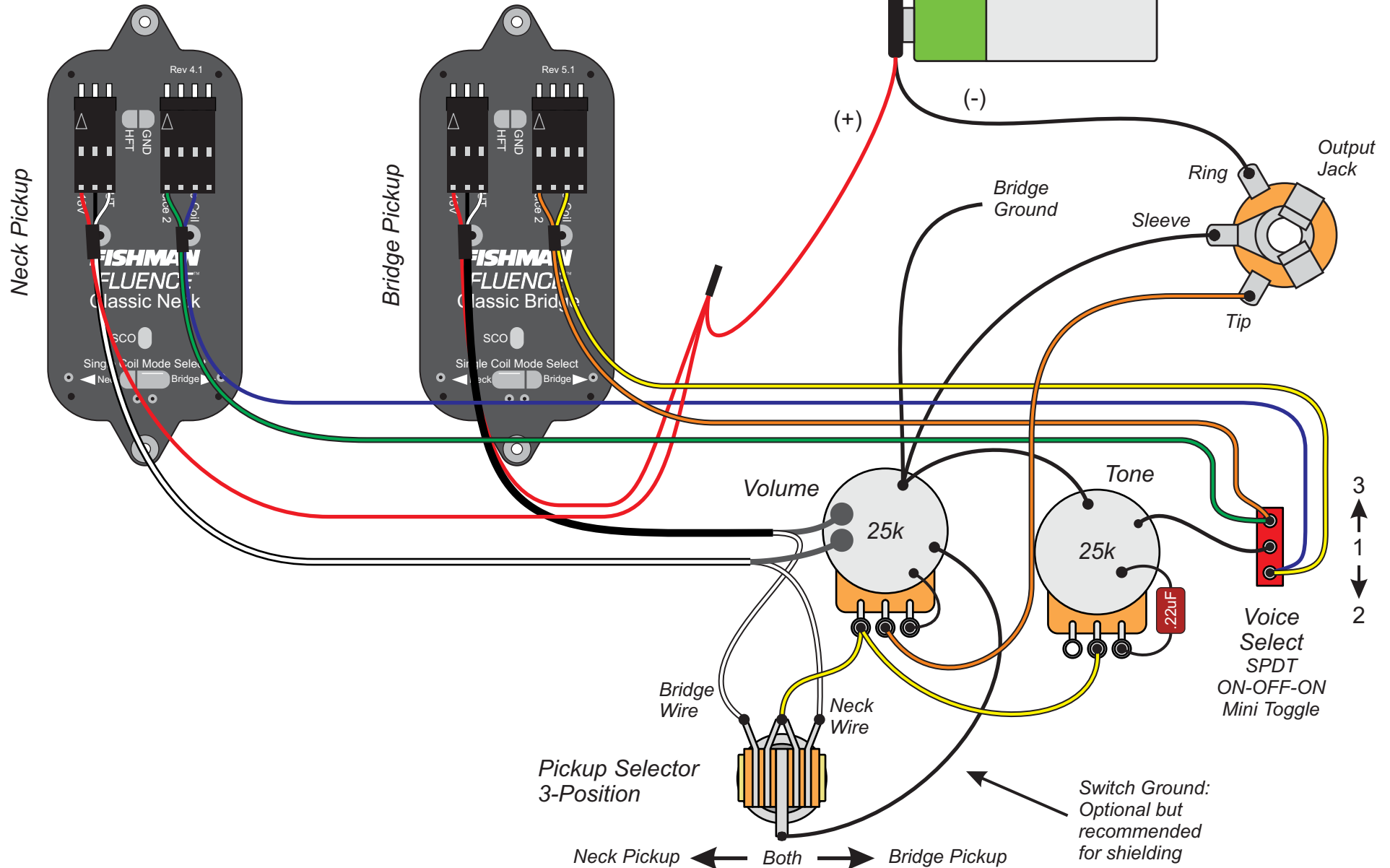
Classic Humbucker Set - Open Core Style

Controls:

Volume

Tone

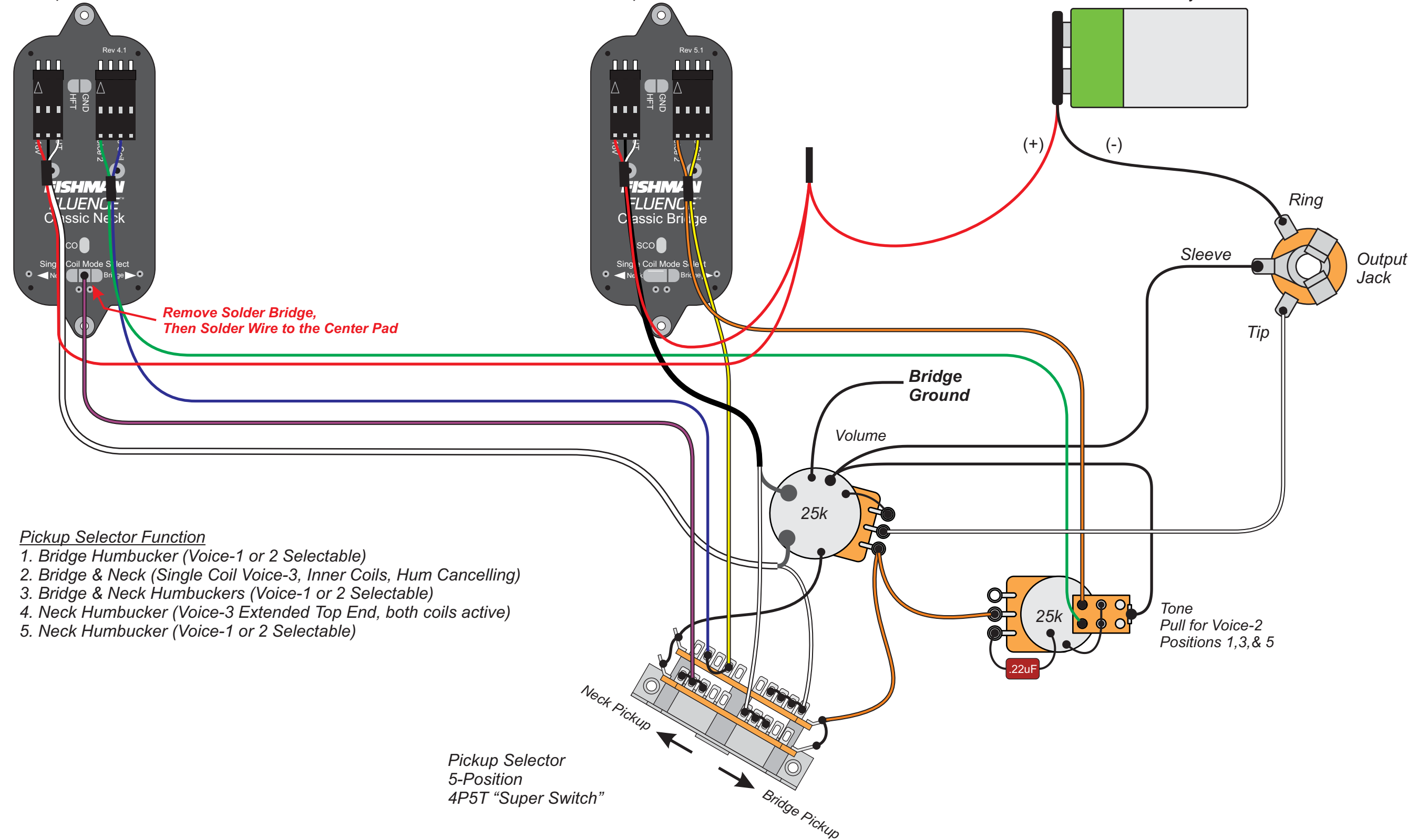
Voice Select (Voice-1, Voice-2, Single Coil / Voice-3)



FISHMAN FLUENCE™
 Classic Open Core Humbucker Set
 Custom Setup - 1
 5-Way Super Switch

Neck: Classic Neck
 Open Core

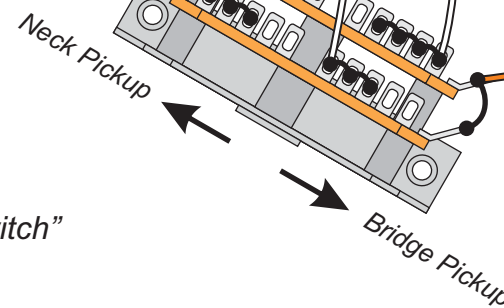
Bridge: Classic Bridge
 Open Core



Pickup Selector Function

1. Bridge Humbucker (Voice-1 or 2 Selectable)
2. Bridge & Neck (Single Coil Voice-3, Inner Coils, Hum Cancelling)
3. Bridge & Neck Humbuckers (Voice-1 or 2 Selectable)
4. Neck Humbucker (Voice-3 Extended Top End, both coils active)
5. Neck Humbucker (Voice-1 or 2 Selectable)

Pickup Selector
 5-Position
 4P5T "Super Switch"

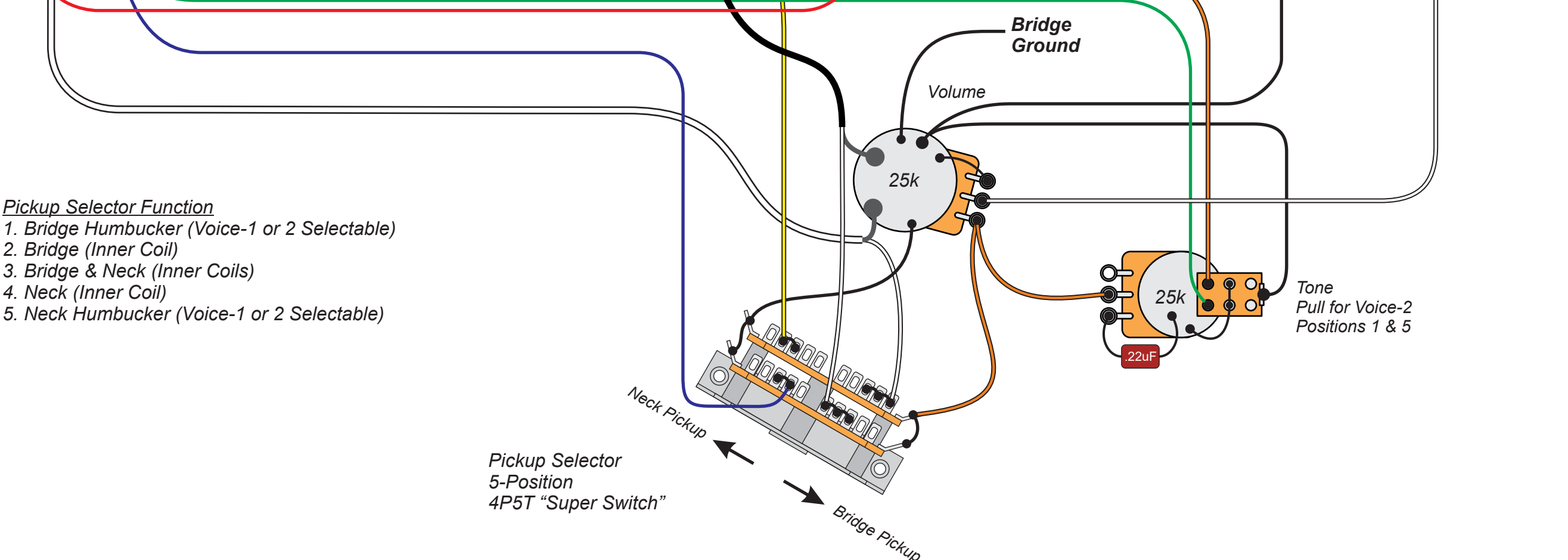
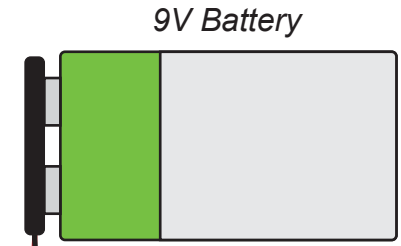
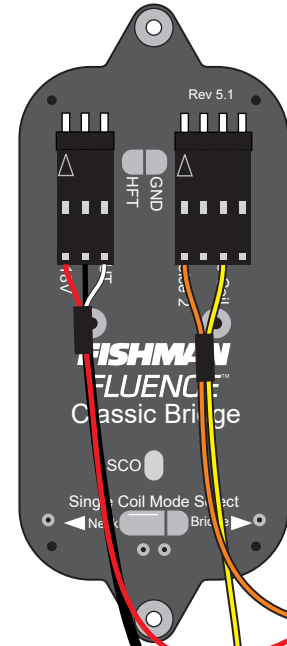
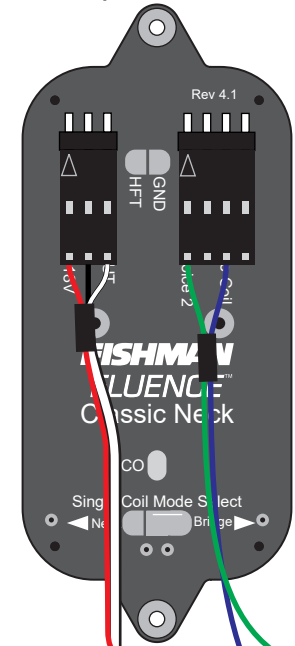


Tone
 Pull for Voice-2
 Positions 1,3,& 5

FISHMAN FLUENCE™
 Classic Open Core Humbucker Set
 Custom Setup - 1
 5-Way Super Switch

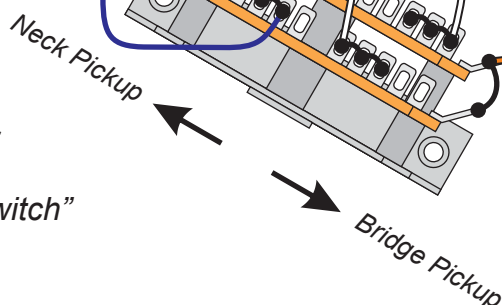
Neck: Classic Neck
 Open Core

Bridge: Classic Bridge
 Open Core



- Pickup Selector Function
1. Bridge Humbucker (Voice-1 or 2 Selectable)
 2. Bridge (Inner Coil)
 3. Bridge & Neck (Inner Coils)
 4. Neck (Inner Coil)
 5. Neck Humbucker (Voice-1 or 2 Selectable)

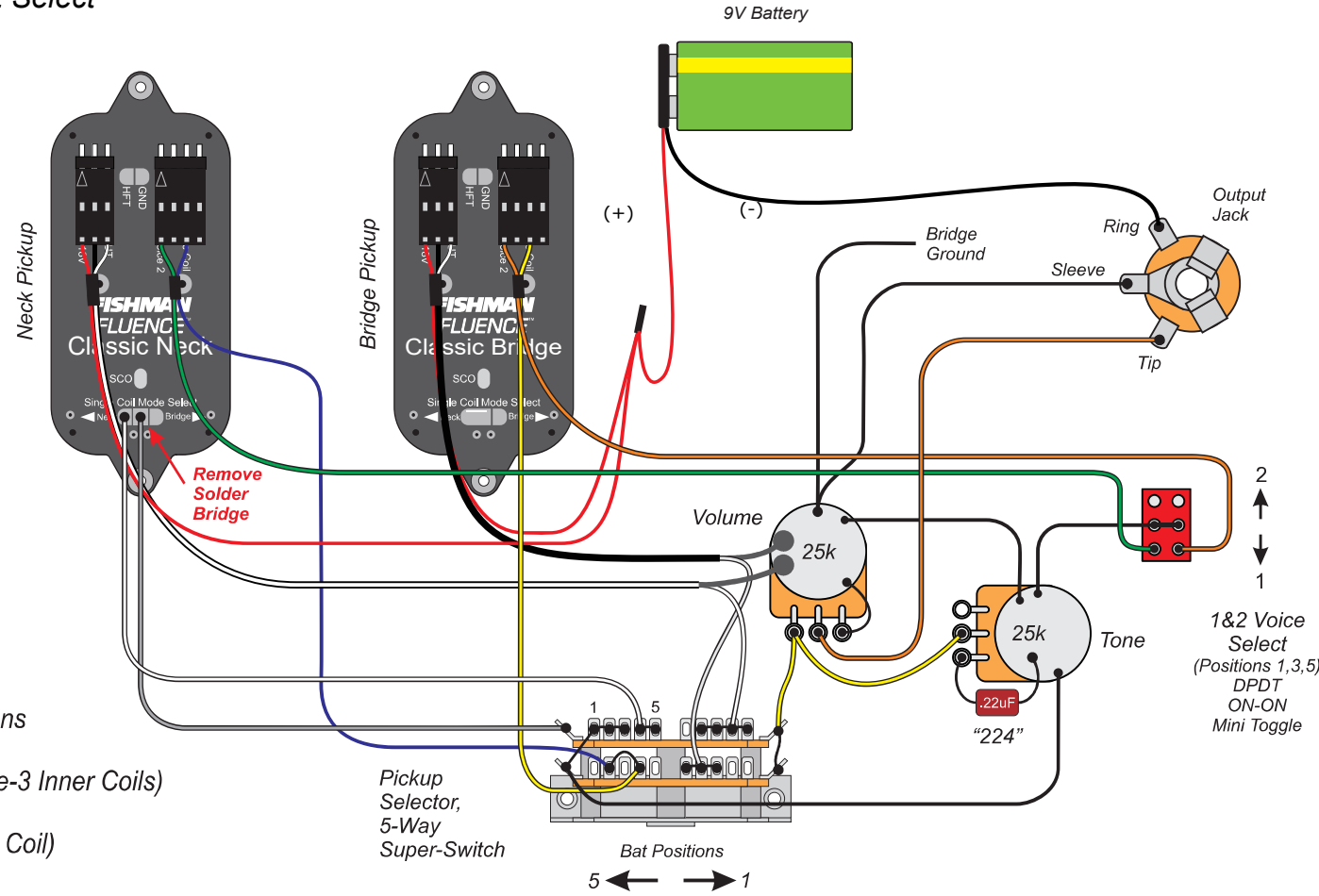
Pickup Selector
 5-Position
 4P5T "Super Switch"



Tone
 Pull for Voice-2
 Positions 1 & 5

FISHMAN FLUENCE™

Classic Humbucker Set
 Master Volume
 Master Tone
 Mini Toggle - Voice 2 Select



- Pickup Selector Positions**
1. Bridge
 2. Bridge & Neck (Voice-3 Inner Coils)
 3. Bridge & Neck
 4. Neck (Voice-3 Outer Coil)
 5. Neck

1&2 Voice Select
 (Positions 1,3,5)
 DPDT
 ON-ON
 Mini Toggle

Bat Positions
 5 ← → 1

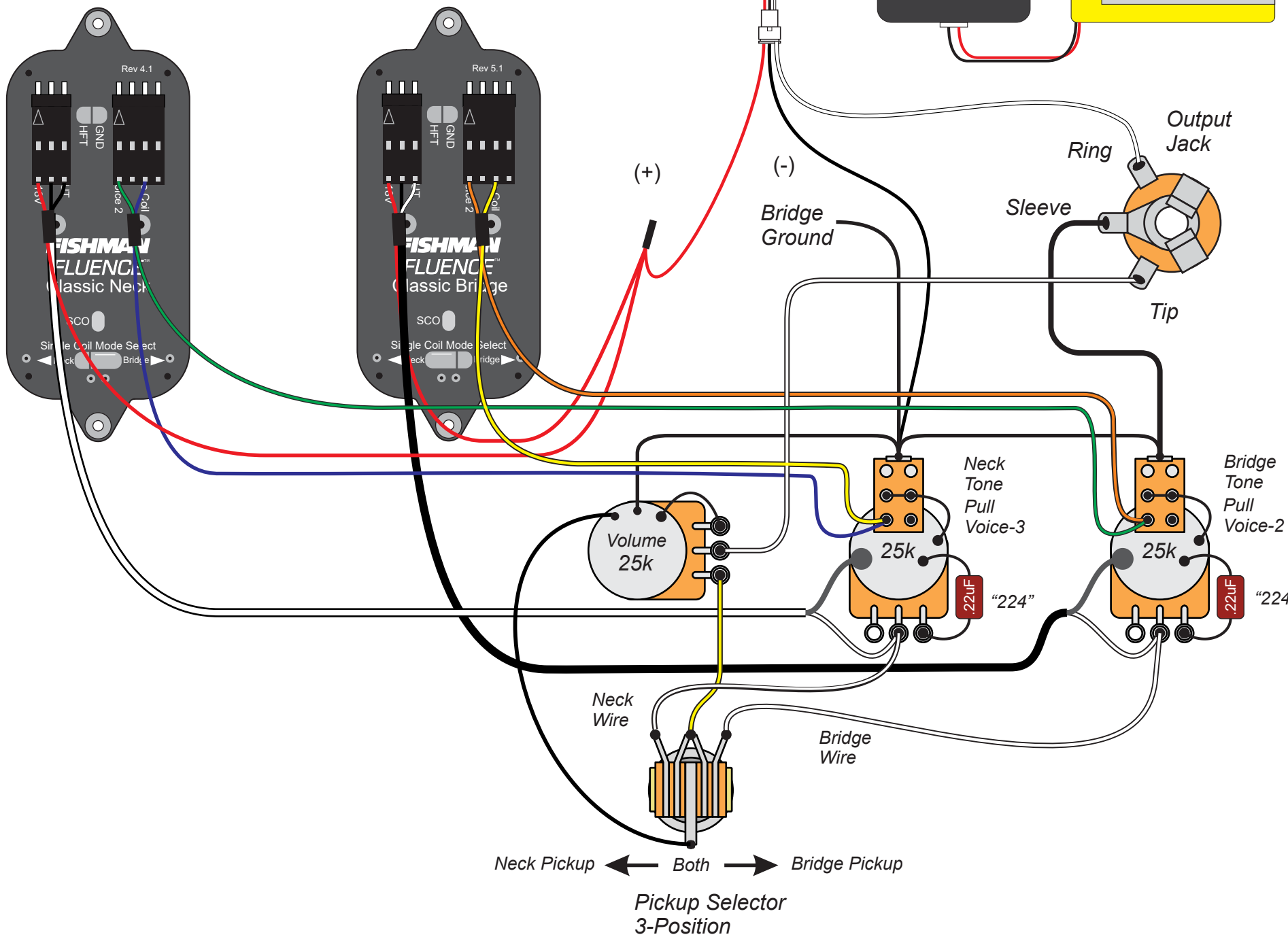
FISHMAN FLUENCE™

Classic Humbucker Set

Master Volume

Neck Tone - Pull for Neck Voice 3

Bridge Tone - Pull for Bridge Voice 2

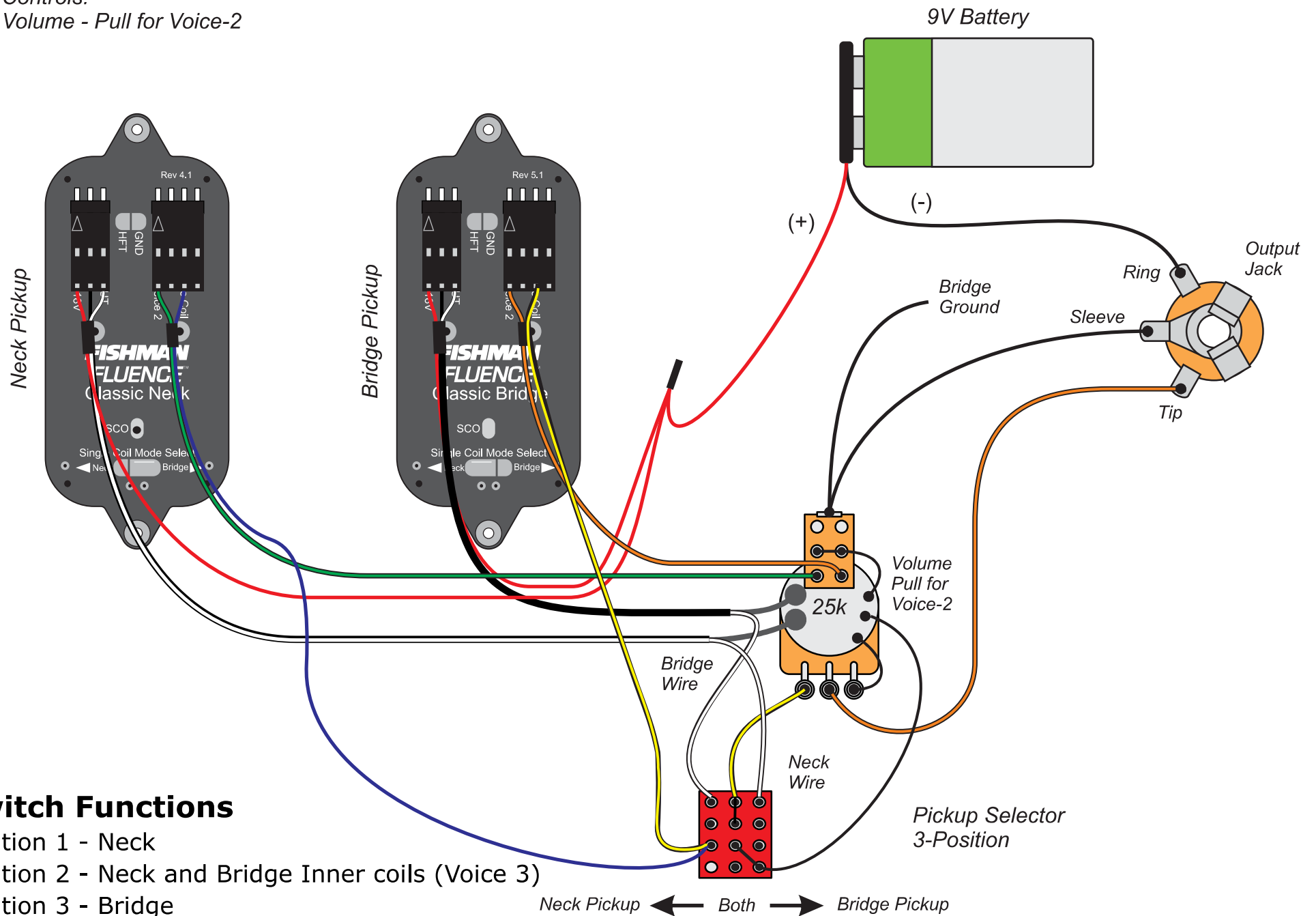


FISHMAN FLUENCE™

Classic Humbucker Set - Open Core Style

Controls:

Volume - Pull for Voice-2



Switch Functions

Position 1 - Neck

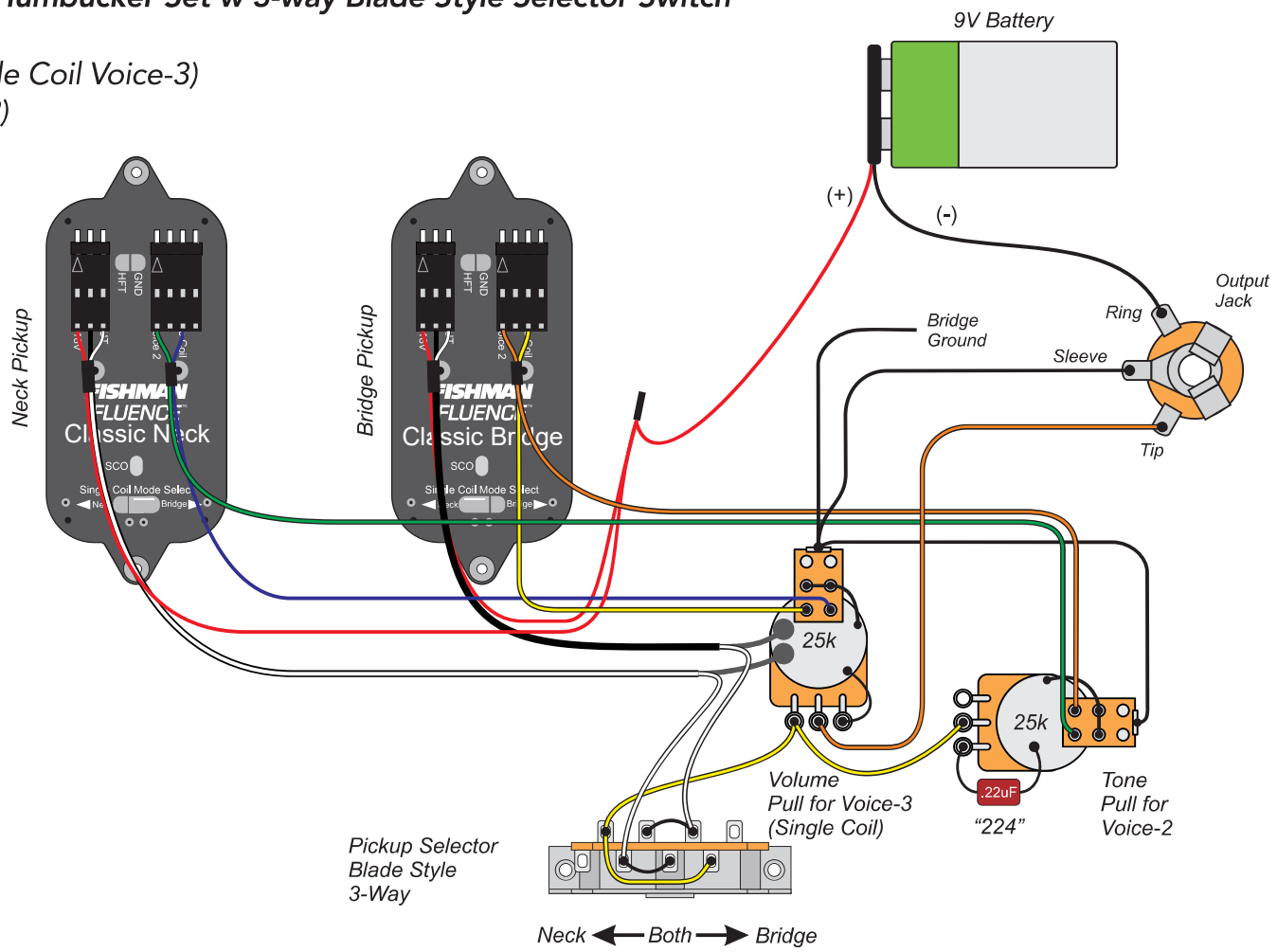
Position 2 - Neck and Bridge Inner coils (Voice 3)

Position 3 - Bridge

Neck Pickup ← Both → Bridge Pickup

Classic Open Core Humbucker Set w 3-way Blade Style Selector Switch

Controls:
Volume (Pull for Single Coil Voice-3)
Tone (Pull for Voice-2)



Neck ← Both → Bridge

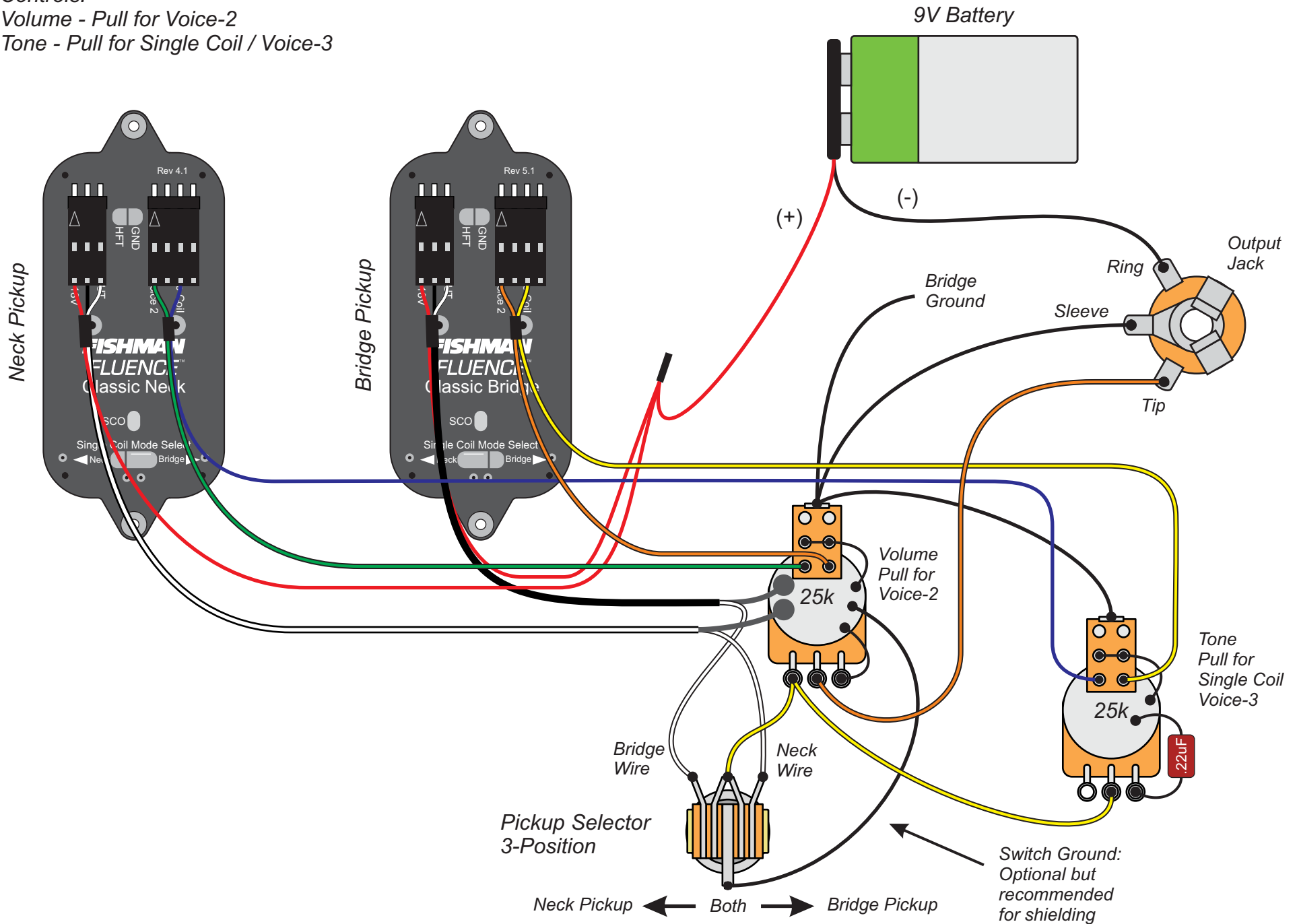
FISHMAN FLUENCE™

Classic Humbucker Set - Open Core Style

Controls:

Volume - Pull for Voice-2

Tone - Pull for Single Coil / Voice-3



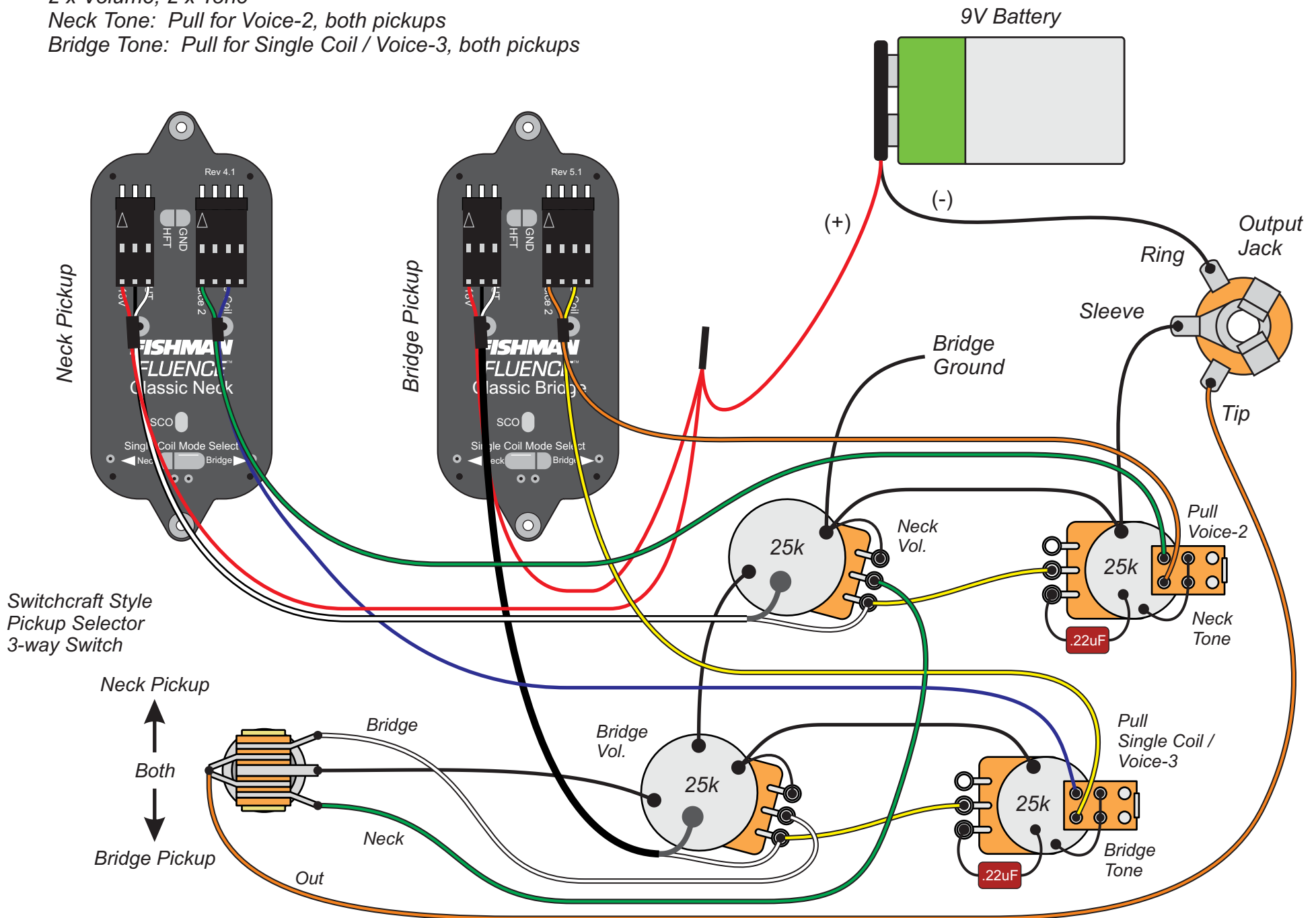
FISHMAN FLUENCE™

Classic Humbucker Set - Open Core Style

2 x Volume, 2 x Tone

Neck Tone: Pull for Voice-2, both pickups

Bridge Tone: Pull for Single Coil / Voice-3, both pickups



FISHMAN FLUENCE™

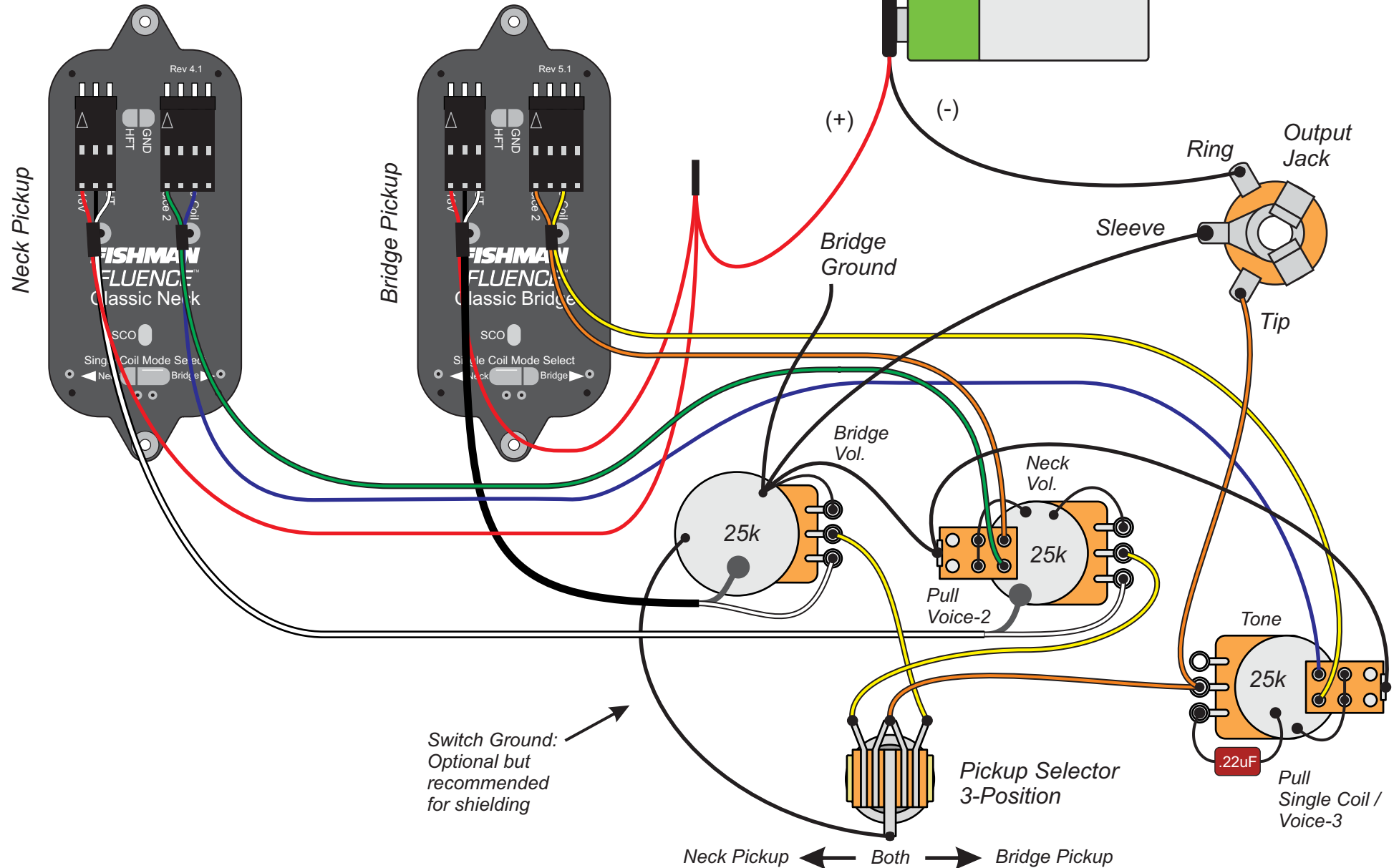
Classic Humbucker Set - Open Core Style

Controls:

Bridge Volume

Neck Volume - Pull for Voice-2

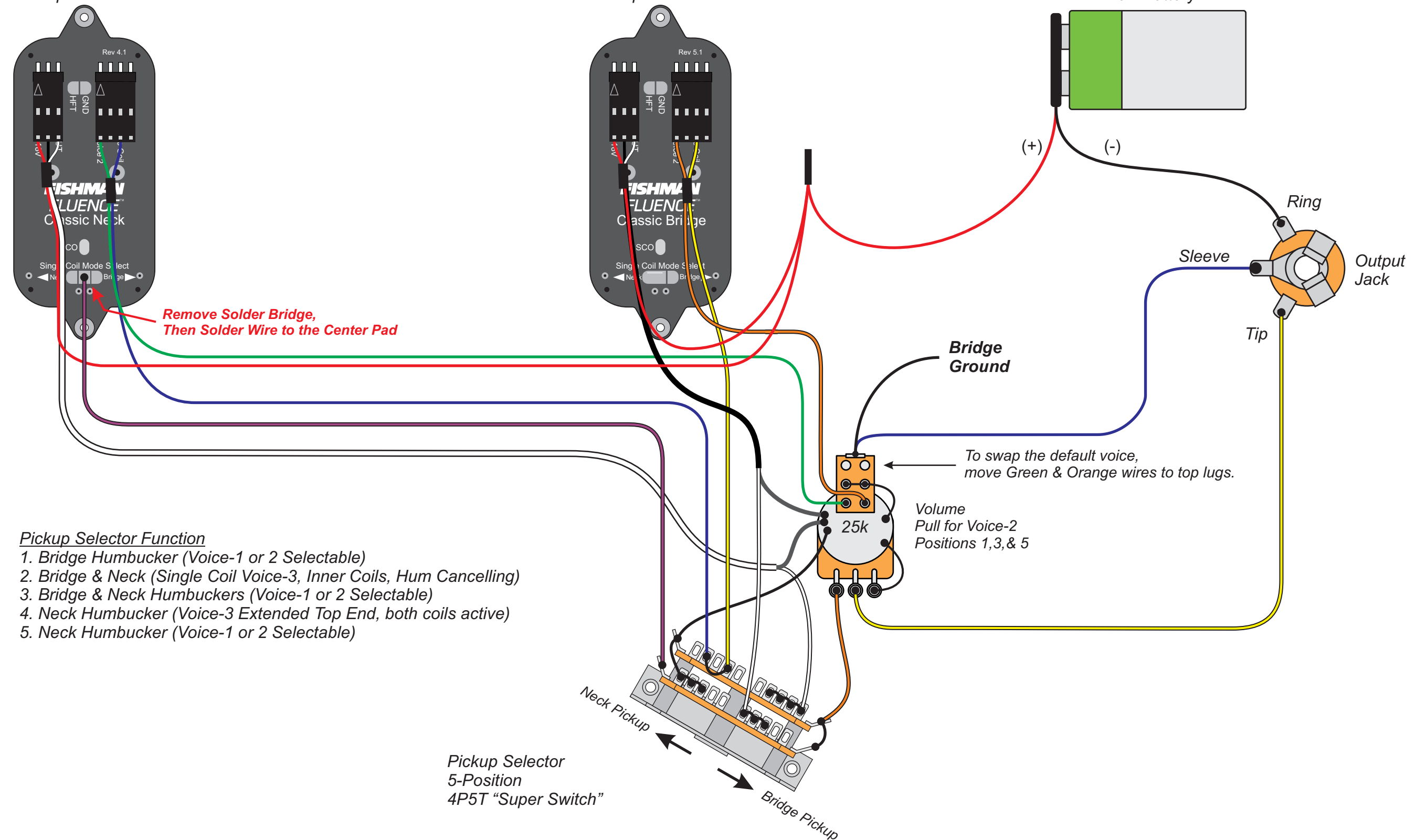
Master Tone - Pull for Single Coil / Voice-3



FISHMAN FLUENCE™
 Classic Open Core Humbucker Set
 Custom Setup - 2 (hum cancelling in all positions)
 5-Way Super Switch

Neck: Classic Neck
 Open Core

Bridge: Classic Bridge
 Open Core



Pickup Selector Function

1. Bridge Humbucker (Voice-1 or 2 Selectable)
2. Bridge & Neck (Single Coil Voice-3, Inner Coils, Hum Cancelling)
3. Bridge & Neck Humbuckers (Voice-1 or 2 Selectable)
4. Neck Humbucker (Voice-3 Extended Top End, both coils active)
5. Neck Humbucker (Voice-1 or 2 Selectable)

Pickup Selector
 5-Position
 4P5T "Super Switch"

Neck Pickup

Bridge Pickup

FISHMAN FLUENCE™

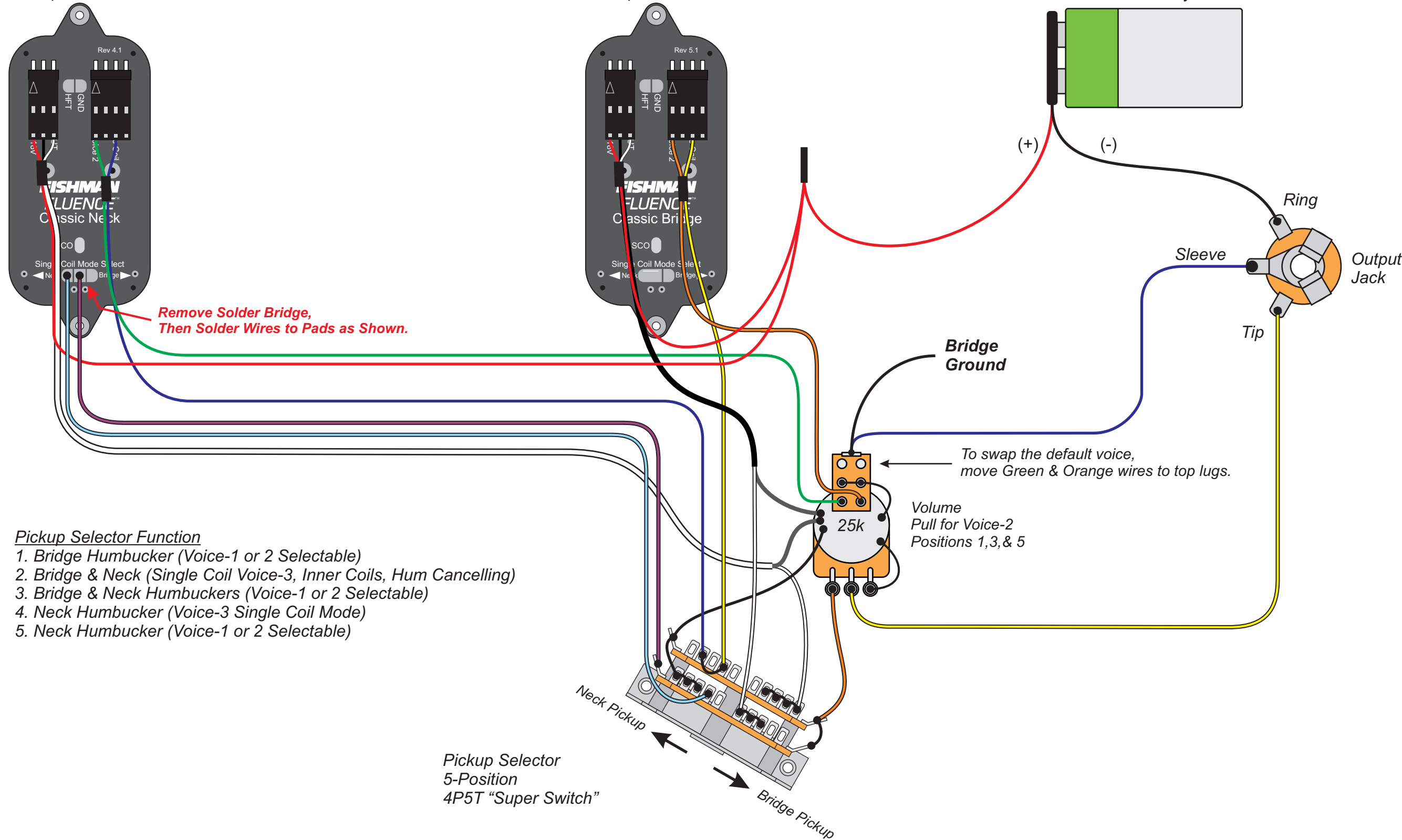
Classic Open Core Humbucker Set

Custom Setup - 3 (Position 4 - Neck Single Coil Mode)

5-Way Super Switch

Neck: Classic Neck
Open Core

Bridge: Classic Bridge
Open Core



Remove Solder Bridge,
Then Solder Wires to Pads as Shown.

Bridge
Ground

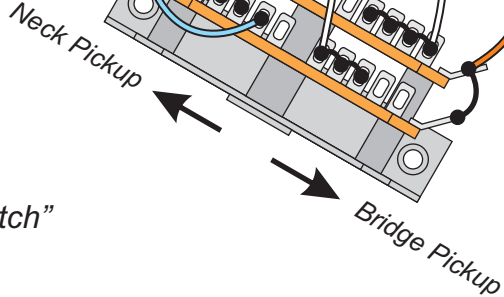
To swap the default voice,
move Green & Orange wires to top lugs.

Volume
Pull for Voice-2
Positions 1,3,& 5

Pickup Selector Function

1. Bridge Humbucker (Voice-1 or 2 Selectable)
2. Bridge & Neck (Single Coil Voice-3, Inner Coils, Hum Cancelling)
3. Bridge & Neck Humbuckers (Voice-1 or 2 Selectable)
4. Neck Humbucker (Voice-3 Single Coil Mode)
5. Neck Humbucker (Voice-1 or 2 Selectable)

Pickup Selector
5-Position
4P5T "Super Switch"



FISHMAN FLUENCE™

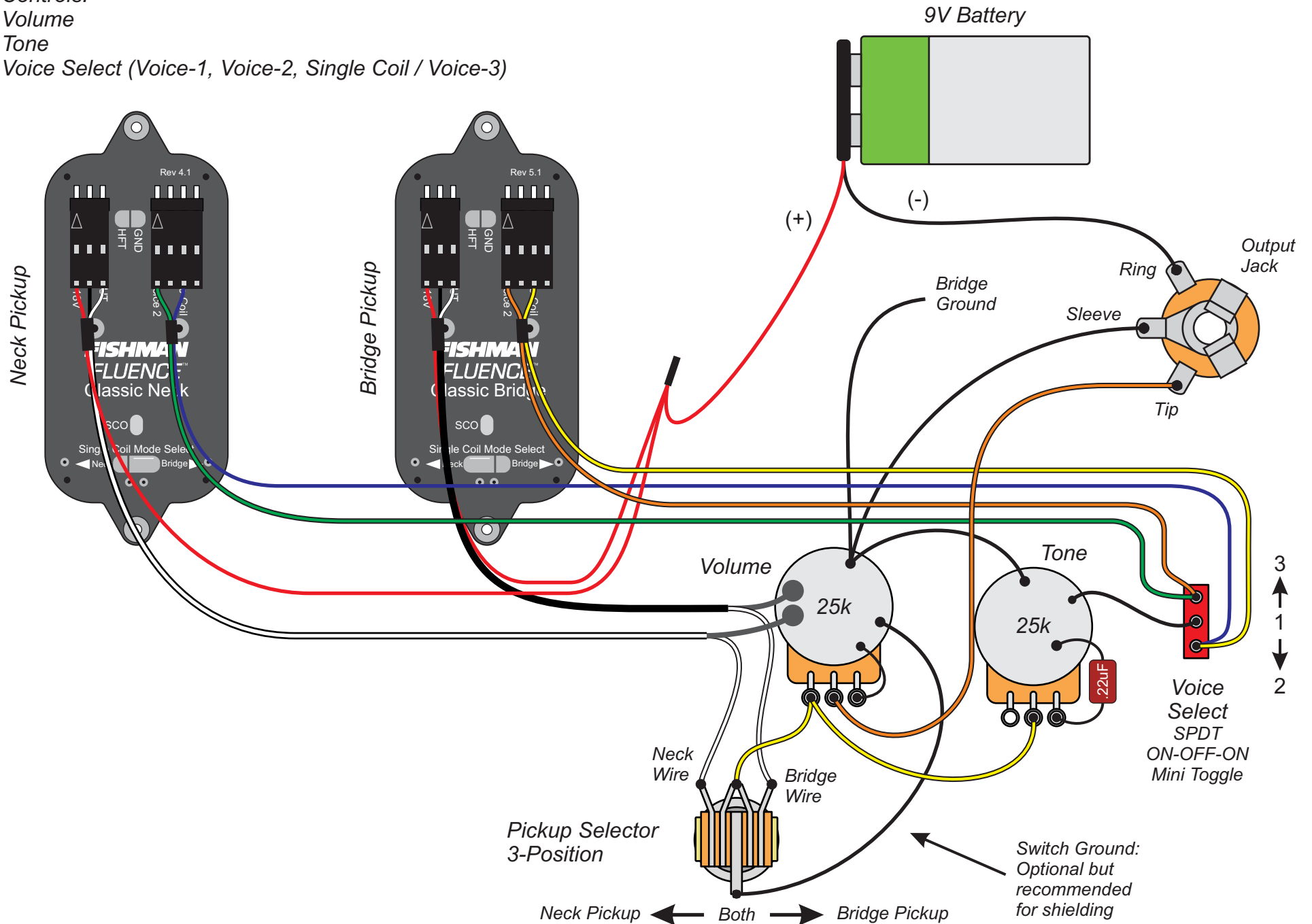
Classic Humbucker Set - Open Core Style (Rev2)

Controls:

Volume

Tone

Voice Select (Voice-1, Voice-2, Single Coil / Voice-3)



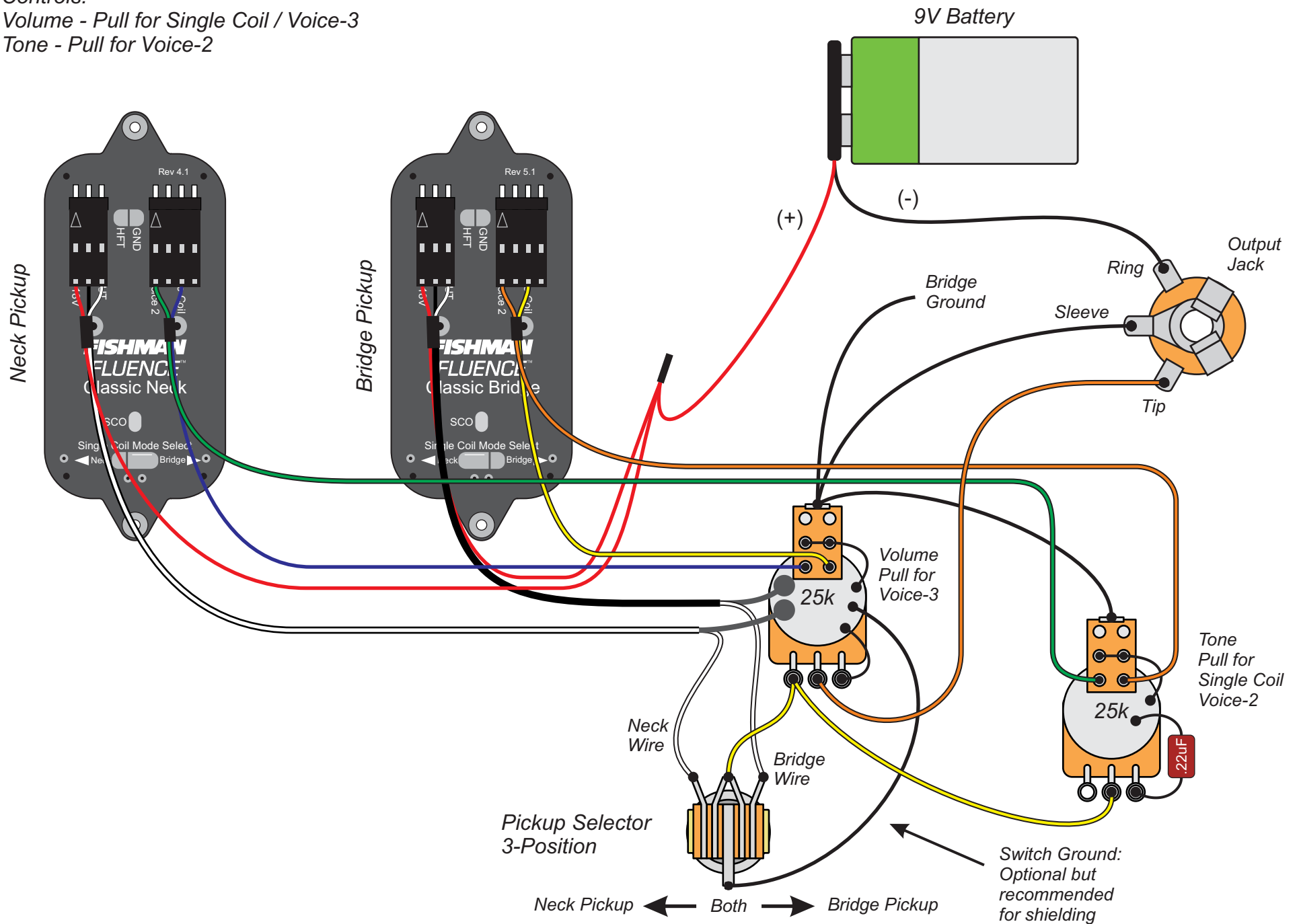
FISHMAN FLUENCE™

Classic Humbucker Set - Open Core Style (Rev2)

Controls:

Volume - Pull for Single Coil / Voice-3

Tone - Pull for Voice-2



FISHMAN FLUENCE™

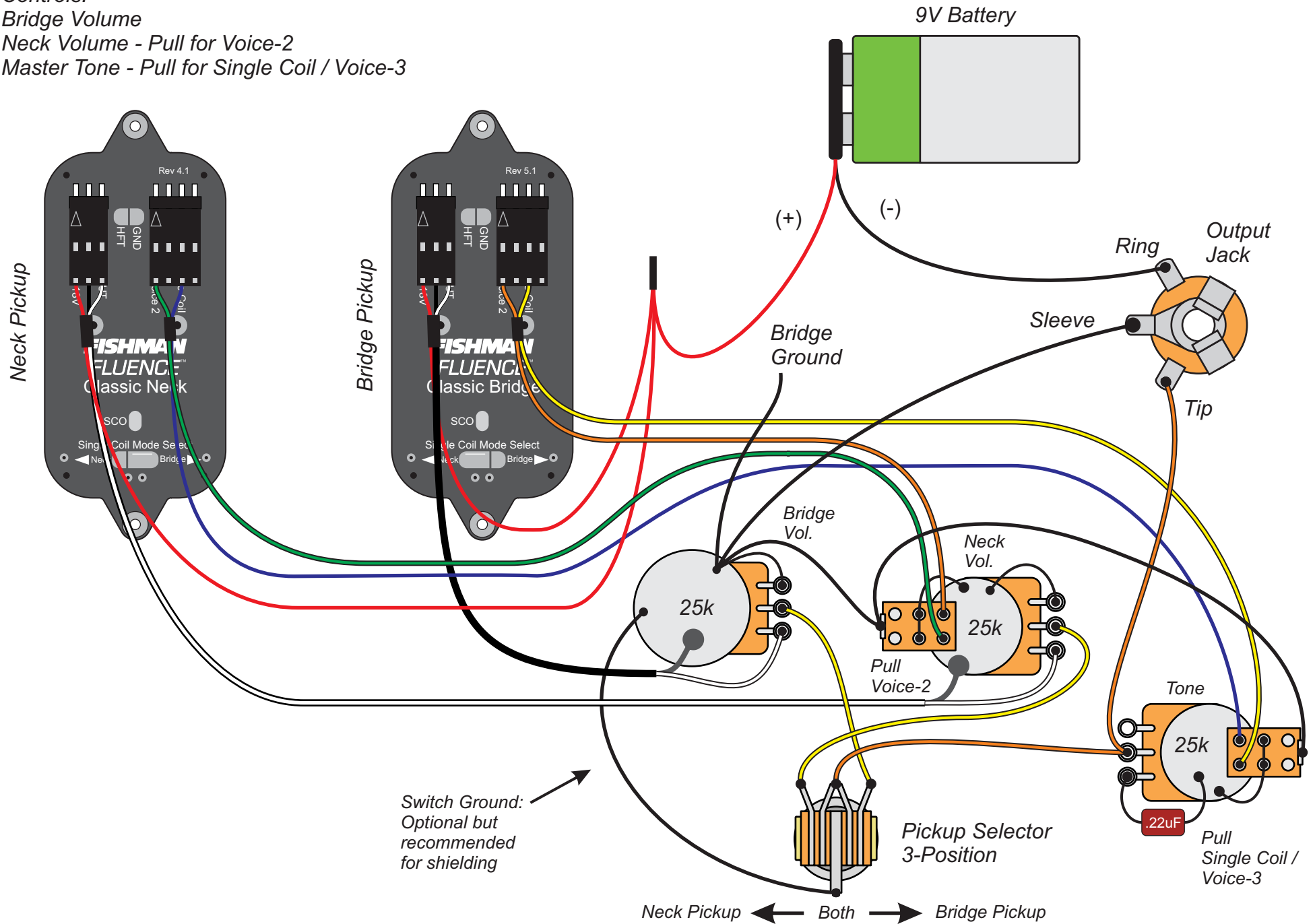
Classic Humbucker Set - Open Core Style

Controls:

Bridge Volume

Neck Volume - Pull for Voice-2

Master Tone - Pull for Single Coil / Voice-3



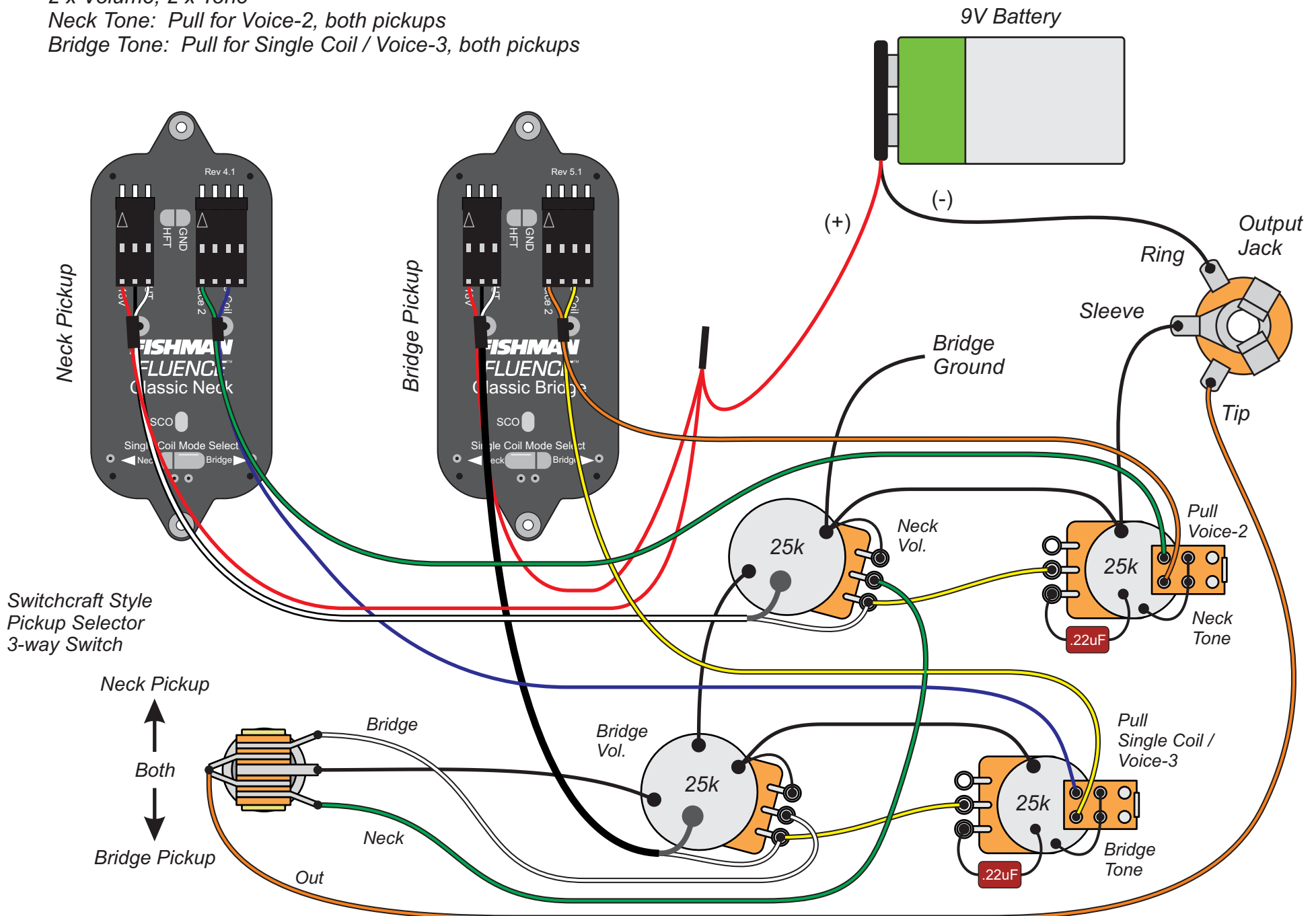
FISHMAN FLUENCE™

Classic Humbucker Set - Open Core Style

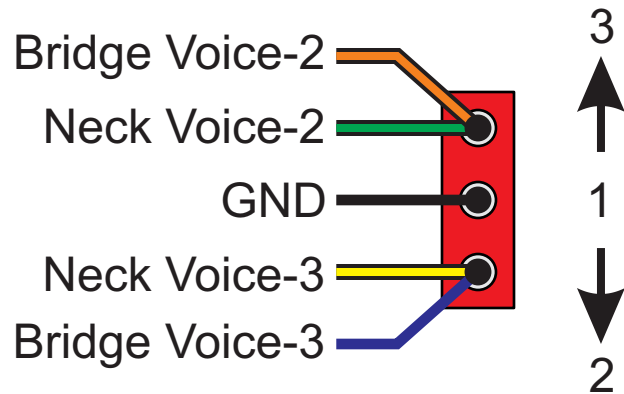
2 x Volume, 2 x Tone

Neck Tone: Pull for Voice-2, both pickups

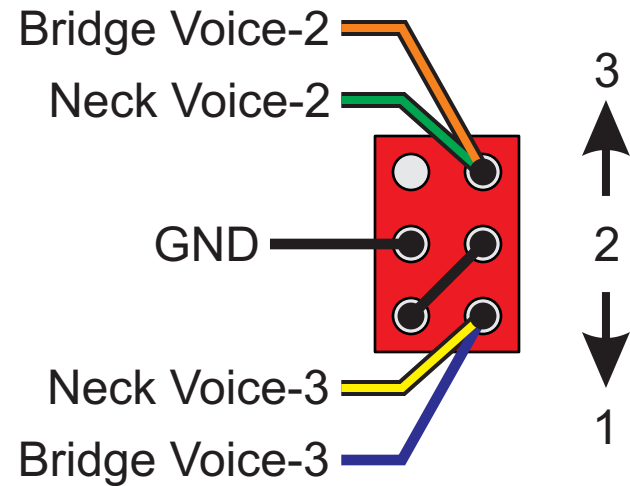
Bridge Tone: Pull for Single Coil / Voice-3, both pickups



Fluence Classic Open Core Voice Selection Wiring via Mini Toggle Switches



SPDT
ON-OFF-ON



DPDT
ON-ON-ON
(aka SP3T)