

Read Me First!

Installation of this product is a simple procedure, but we recommend this job only if you are an experienced repair technician.

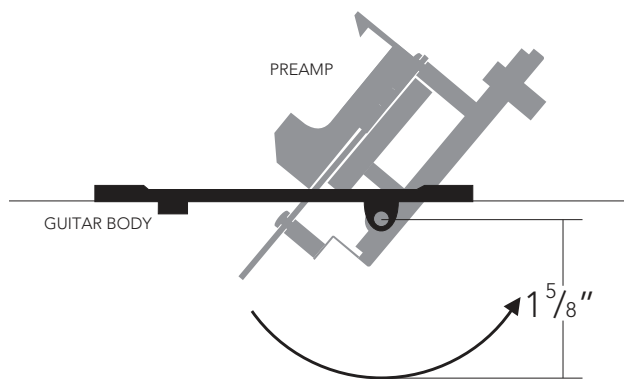
Requirements

Saddle slot

Minimum saddle slot length: 2.775" (70.4mm)

Maximum E to E spacing at saddle: 2.5" (63.5mm)

The Prefix Pro Series preamp will only fit in guitars with a clearance of at least $1\frac{11}{16}$ " (42.86mm) between the top and back braces, at the point where the preamp chassis swings inside the instrument. This path is defined as a $1\frac{5}{8}$ " radius, with the hinge point on the bezel being the center of the circle.



Installation

Preliminary

1. Widen the endpin hole to $1\frac{15}{32}$ " (11.9mm) to accommodate the endpin jack.
2. Drill a $\frac{3}{32}$ " hole (2.4mm) in the saddle slot for the pickup wire, no less than .100" (2.5mm) from the nearest string. Install the pickup per Acoustic Matrix installation instructions.

Cut out the preamp cavity

Please note: For instruments with solid wood sides (especially maple), we strongly recommend that you glue 2.5" (63.5mm) x .5" (12.7mm) plywood patches in the areas inside the guitar where the screw holes will be drilled. Doing so will prevent the area around the mounting holes from cracking or splintering and will strengthen the side of the instrument at the cutout.

1. Choose the flattest possible location for the preamp on the side of the instrument. The flattest and most comfortable location for the player is often at the upper bout, just above the instrument's waist and well below the shoulder. Note that the bezel has a limited ability to bend just enough to conform to the curved sides of most standard sized instruments.

Caution! When mounting the Prefix Pro Series preamp on solid wood instruments with highly curved sides (such as small bodied acoustic-electrics), exercise extreme caution when choosing the preamp location.

A highly curved mounting surface may cause the preamp to bind against the mounting bezel or in worst cases may cause the wood to crack around the preamp mounting holes.

2. Attach the enclosed cutout template at the desired location and cut out the cavity for the preamp.
3. Drill the preamp mounting holes with a #45 drill (.082" / 2.08mm).

Output cable/endpin jack wiring

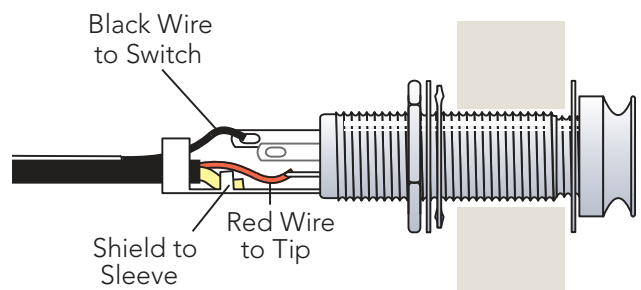
Important note: To ensure full pivot action for the preamp, remember to leave an extra 3" (76.2mm) of slack when you decide the output cable's final length.

Solder the wire connections

1. Determine the proper length for the cable, then, if necessary, strip and tin the output wires.
2. To gain better access to the terminals on the endpin jack, gently bend back the Strain Relief/Sleeve tab before you begin to solder.

Jack connections

- Red wire to Tip (short terminal)
- Black wire to Switch (longest terminal)
- Shield wire to Sleeve (strain relief)
- Ring is not connected (middle terminal)

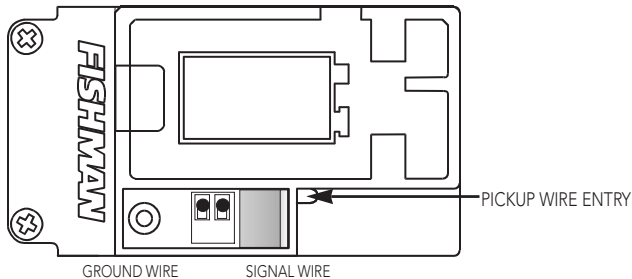
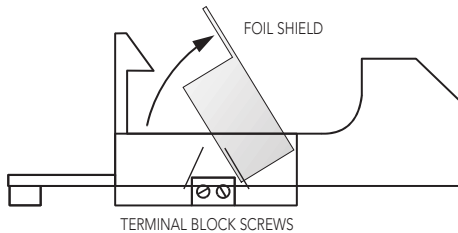
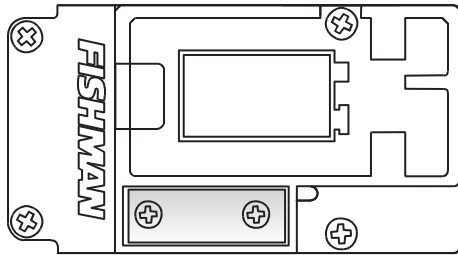


Endpin jack

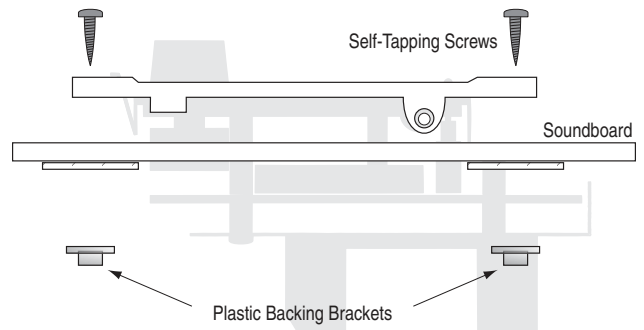
Install the endpin jack per Switchjack Installation Guide.

Mount the preamp

1. Insert the pickup in the saddle slot.
2. Carefully pull back the foil shield on the preamp (located next to the output cable) to expose the terminal block.



3. Tighten the terminal block screws with a small slotted screwdriver.
4. Pull the slack on the pickup wire until it lies within the terminal block compartment, tucked in behind the screw boss where the wire exits.
5. Check the foil shield sides to make sure that the shape is intact and the corners are square.
6. Carefully replace the foil enclosure. Note that when properly installed, the foil enclosure will cleanly surround both the terminal block and one of the screw bosses. If the sides of the foil jam up on the terminal block or screw boss, adjust the fit so that the enclosure closes easily.
7. Replace the two screws that hold the foil in place. Be careful not to cross thread the holes.
8. Angle the preamp 90° from the bezel and insert it in the cut-out, then fasten the preamp bezel using the four self-tapping screws and the two plastic backing plates.



Complete the installation

Install a 9V alkaline battery.

To keep the wires inside the guitar from rattling, secure them with the included adhesive backed clips. Attach the wire guide clips to the side of the instrument.