

Read Me First!

If you are unfamiliar with these products, please pay close attention to the dimensional requirements for installation. Failure to do so can result in permanent damage to the pickup.

Installation of this product is a straightforward procedure, but we recommend this job only if you are an experienced repair technician.

Preliminary

The Concert Series violin, viola and cello pickups feature a piezo-ceramic element preinstalled in the bridge. Using your preferred method for bridge fitting, note the minimum allowable thickness for each type of bridge (\varnothing) at the pickup insert (Figure 1). Special care must be taken not to damage the pickup wire when tooling the bridge blank.

Installing The Jack

For Violin and Viola:

After fitting the pickup, place the jack to the left of the chinrest on your violin or viola (Figure 3) and tighten it with the enclosed chinrest key (Figure 2). Be careful not to scratch the side of your instrument.

For Cello:

After fitting the pickup, mount the adhesive-backed jack holder to the back of the tailpiece. Peel off the release film and press the holder firmly in place below the fine tuning machines of the tailpiece. Position the holder so that the jack will be at a right angle (90 degrees) to the tailpiece (Figure 4).

Insert the jack into the holder and snap shut. Since the wire is somewhat microphonic, it should not be allowed to lie on the face of the instrument.

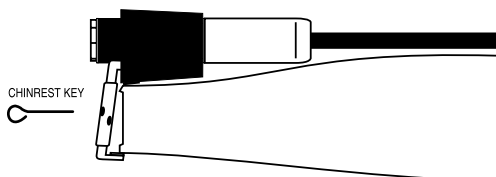


Figure 2.

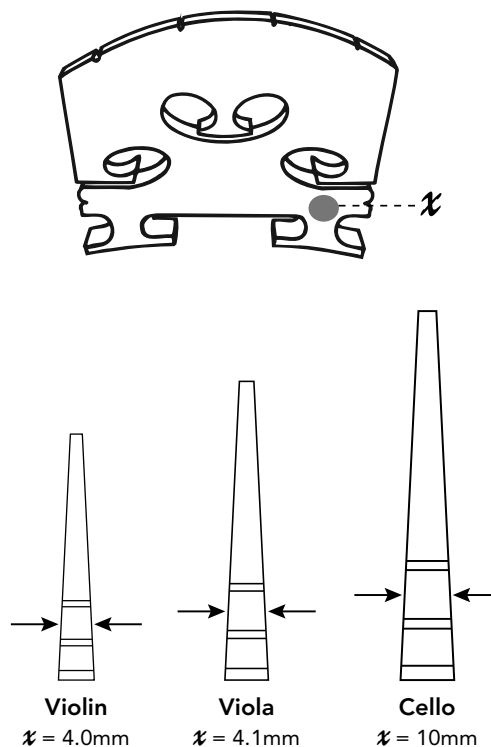


Figure 1.

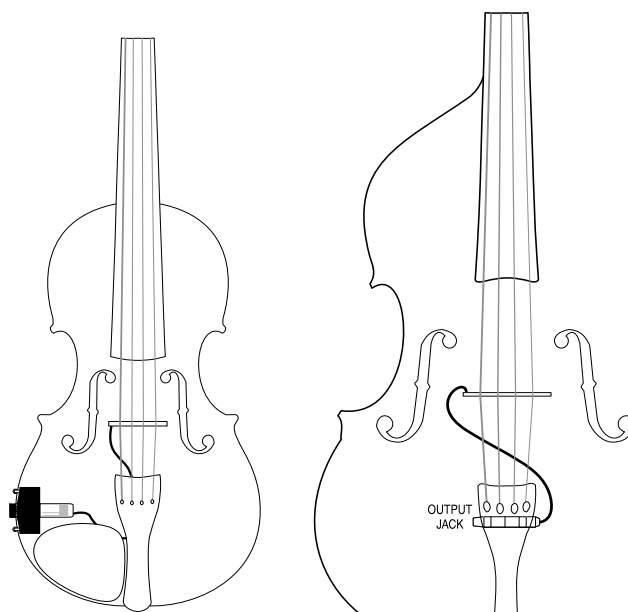


Figure 3.

Figure 4.