

***FISHMAN***<sup>®</sup>

---

**USER GUIDE  
RECHARGEABLE BATTERY PACKS**

[fishman.com](http://fishman.com)

# Welcome

---

Thank you for making Fishman products a part of your musical experience. We are proud to offer you the finest products available: high-quality professional-grade tools which empower you to sound your very best.

Fishman Rechargeable Battery packs are designed for use with Fishman Fluence pickups. Please see [www.fluence.fishman.com](http://www.fluence.fishman.com) for complete product line information.

## Installation Warning

---

By self-installing and/or misusing this product, you understand and agree that and such uses are high risk activities and, to the extent permitted by law, YOU EXPRESSLY AND VOLUNTARILY ASSUME THE RISK OF DEATH OR OTHER PERSONAL INJURY SUSTAINED WHILE PARTICIPATING IN SUCH ACTIVITIES WHETHER OR NOT CAUSED BY THE NEGLIGENCE OR ANY OTHER FAULT of Fishman, including but not limited to equipment malfunction from whatever cause, or any other fault of Fishman. Additionally, you agree to indemnify, defend and hold Fishman harmless from any third party claims arising from such activities. This product should be professionally installed. If you are not a professional installation service provider for musical instruments, please refer to the Battery Pack Installation Guide included with this product. **CAUTION! Excessive pressure may puncture the battery. Isolate all components during installation to eliminate shorting or risk of fire.**

# Charging

---

Charging and operation assume installation and wiring as described in the Installation Guide, available at <http://www.fishman.com/support/>

We recommend fully charging the battery pack before using it for the first time. Connect the USB charge cable to the battery pack and plug into a wall socket using a 5 volt USB-compliant charger. The LED on the battery pack will change from red to green when the charge is complete. Allow 3 hours for the battery to reach full charge. Note that non-USB-compliant chargers may take longer than 3 hours.

The battery charge LED indicates the following battery conditions:

## Normal operation

---

No Light	Normal. May also indicate a completely discharged battery.
Blinking Red	Low battery. Connect your charger.

## USB Charger Connected

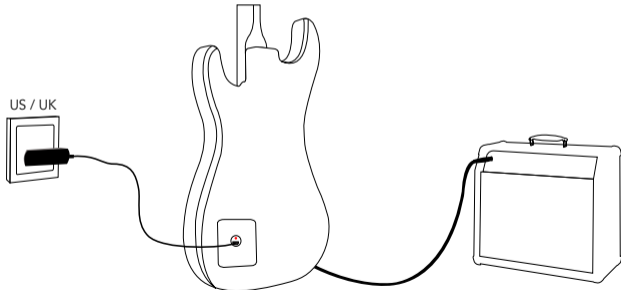
---

Steady Red	Charging.
Steady Green	Fully charged.

# Operation

---

Connect the guitar to your amplifier with a ¼-inch instrument cable. To conserve battery life, remove the instrument cable from the guitar when the system is not in use. You can expect up to 250 hours of operation per charge when used with Fishman Fluence pickups (depending on model and pickup configuration). The battery pack is also suitable for use with active pickups and other active circuits that are designed to be used with 9-volt batteries.



# Troubleshooting

---

If you notice unexpected changes in volume or tone, recharge your battery pack as described above.

If you are unfamiliar with these products, please pay close attention to the requirements for installation. Failure to do so can result in permanent damage to the battery pack, Fluence pickups or other electronics powered by the battery pack, or your instrument.

Installation by a qualified professional is strongly recommended. Should you have any problems, please check with your installer or refer to the online installation guide for this product.

Users should not attempt replacement of the battery themselves. It is possible to send your battery pack back to Fishman in order to have the battery replaced for a small fee. However, if a battery replacement is attempted: **Caution - Replace only with same type of battery:**

**Model BA750 for Strat® Battery pack**

**Model SP103450 for Universal Battery pack and Les Paul® Battery Pack**

**Model PL503450 for Tele® Battery pack**

Technical support, troubleshooting tips and installation information can be found at <http://www.fishman.com/support/>

Strat® and Tele® are registered trademarks of FMIC. Les Paul® is a registered trademark of Gibson Guitar Corp.

# Installation

---

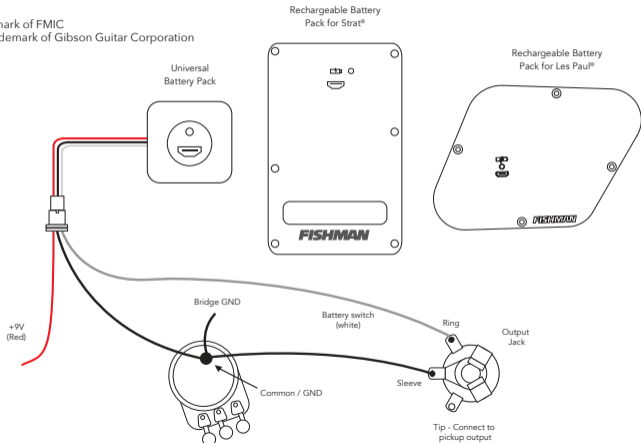
This guide provides installation instructions for the Fishman Fluence Universal Battery Pack intended for use with the Fishman Fluence series of pickups.

**Warning! Installation of this product is meant to be performed only by a professional instrument repair technician.**

1. Connect the battery pack to the recharge module and choose their desired location. Determine the best route for the power leads inside the instrument body. Ensure the components will fit in the selected locations or modify the instrument until the fit is correct.
2. Review your planned scheme for issues.
3. Most battery packs are designed for drop-in replacement in standard guitar models. For the Universal Battery pack, drill a 1/2 inch hole through the control panel cover in your chosen location. Remove the adhesive backing from both the battery and recharge module and then press them into place. See the following pages for details.
4. Solder the recharge module power leads and test your completed installation before finishing assembly.

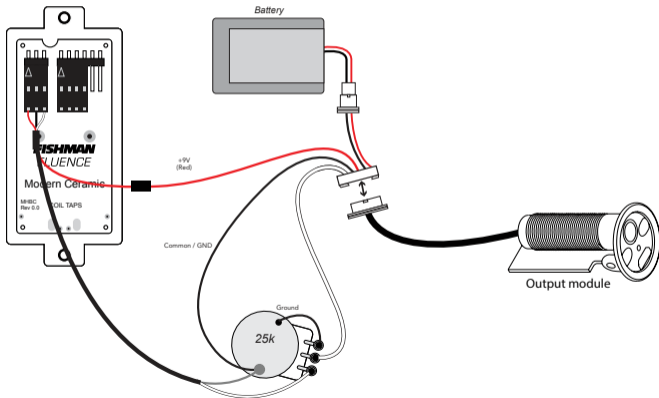
# Wiring Diagram

Strat® is a registered trademark of FMIC  
Les Paul® is a registered trademark of Gibson Guitar Corporation



# Rechargeable Battery Pack for Universal Battery Pack with Output Module Wiring

---





# Universal Battery Pack Install & Wiring

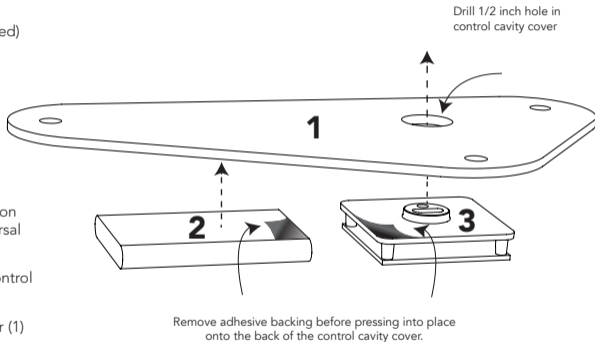
## **Components:**

1. Existing control cover (not included)
2. Li-Ion battery pack
3. Rechargeable Universal Module
4. Power leads

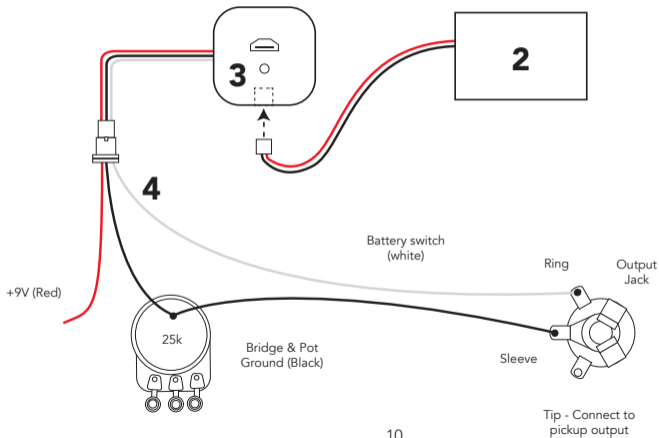
## **How to Install Battery Pack:**

1. Remove adhesive backing on Li-Ion battery (2) and Rechargeable Universal Module (3).
2. Attach Universal Module (3) to control cover (1)
3. Attach Battery (2) to control cover (1)

**Do Not Puncture Battery!**



# Wiring Diagram



# Compliance

---

**EU Declaration of Conformity CE:** Hereby, Fishman declares that Fishman rechargeable battery pack products are in compliance with the essential requirements and other relevant provisions of Directive 2014/30/EU, 2014/35/EU. The Declaration of Conformity can be found at [www.fishman.com/support](http://www.fishman.com/support)

**FCC Notice (for U.S. Customers):** Model numbers: 494-000-346, 494-000-371, 494-000-315, 494-000-353, 494-000-418

This device complies with FCC Part 15: Operation is subject to the following two conditions: (1) this device may not cause harmful interference, and (2) this device must accept any interference received, including interference that may cause undesired operation.

NOTE: This equipment has been tested and found to comply with the limits for a Class B digital device, pursuant to Part 15 of the FCC Rules. These limits are designed to provide reasonable protection against harmful interference in a residential installation. This equipment generates, uses and can radiate radio frequency energy and, if not installed and used in accordance with the instructions, may cause harmful interference to radio communications. However, there is no guarantee that interference will not occur in a particular installation.

If this equipment does cause harmful interference to radio or television reception, which can be determined by turning the equipment off and on, the user is encouraged to try to correct the interference by one or more of the following measures:

- Reorient or relocate the receiving antenna.
- Increase the separation between the equipment and receiver.
- Connect the equipment into an outlet on a circuit different from that to which the receiver is connected.
- Consult the dealer or an experienced radio/TV technician for help.

Changes and modifications not expressly approved by FISHMAN TRANSDUCERS can void your authority to operate this equipment under Federal Communications Commissions rules.

***FISHMAN***®

fishman.com